

REV.	ECN NO.	DESCRIPTION	DESIGN	DATE
A		INITIAL	Kai	2018.03.29

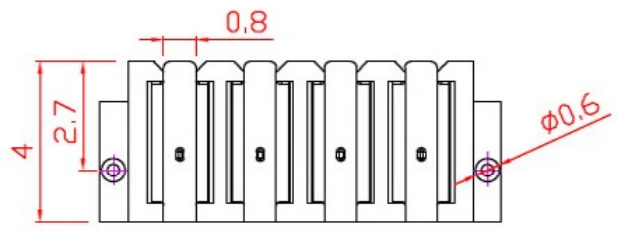
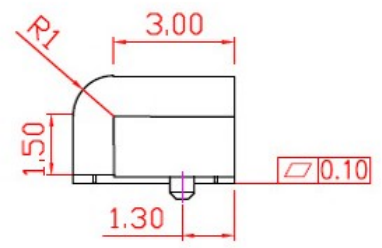
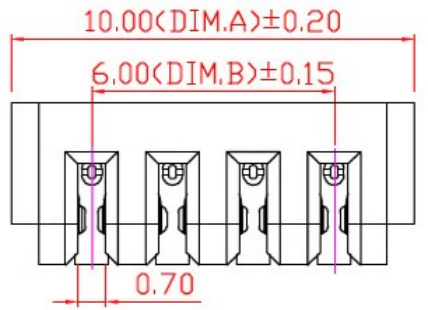
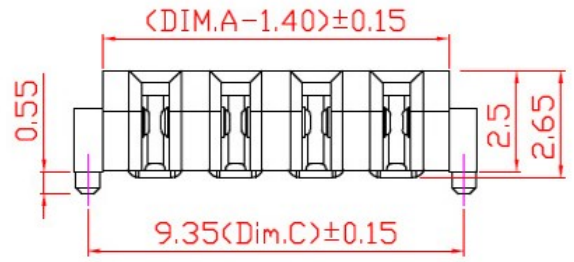
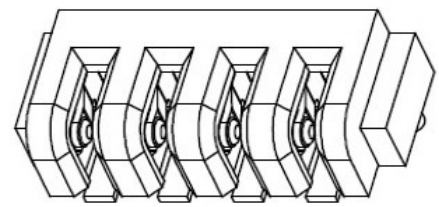
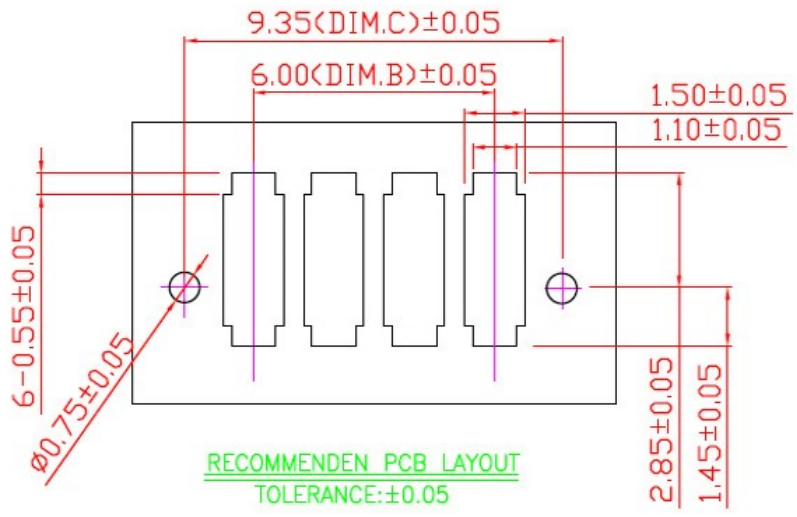


TABLE:

PIN/NO.	Dim.A	Dim.B	Dim.C
2Pin	6.00	2.00	5.35
3Pin	8.00	4.00	7.35
4Pin	10.00	6.00	9.35
5Pin	12.00	8.00	11.35
6Pin	14.00	10.00	13.35
7Pin	16.00	12.00	15.35
8Pin	18.00	14.00	17.35



3D VIEW

NOTE:

Material
 Insulator: Nylon 9T(UL94V-0)
 Contact: phosphor Bronze
 Contact Plated: Gold over Nickel or Tin
 Specification
 Rated voltage: 12V 30V
 Current rating: 3A 5A
 instant CURRENT: 7A
 Contact Resistance: 30MΩ
 Insulation Resistance: 100MΩ
 Dielectric Voltage: 1000V
 Operating Temperature: -40°~105°

RECOMMENEN PCB LAYOUT
 TOLERANCE: ±0.05

UNLESS OTHERWISE SPECIFIED TOLERANCES

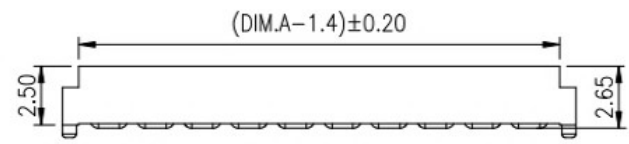
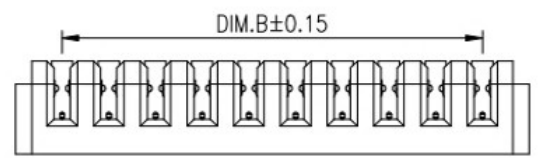
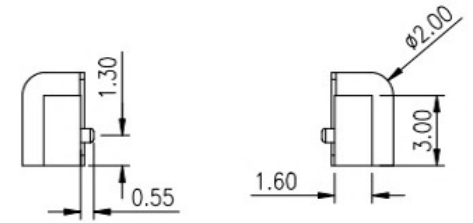
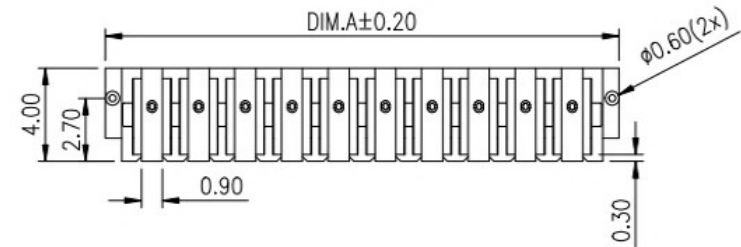
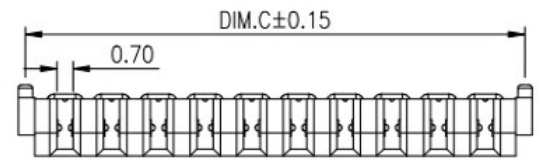
广东科斯达电器开关厂

ITEM	PART NAME	Q'TY	MATERTAL	DESCRIPTION	REMARK
②	HOUSING	1	LCP		BLACK
①	CONTACT A	2	PHOSPHOR BRONZE 0.20T	Au PLATED	

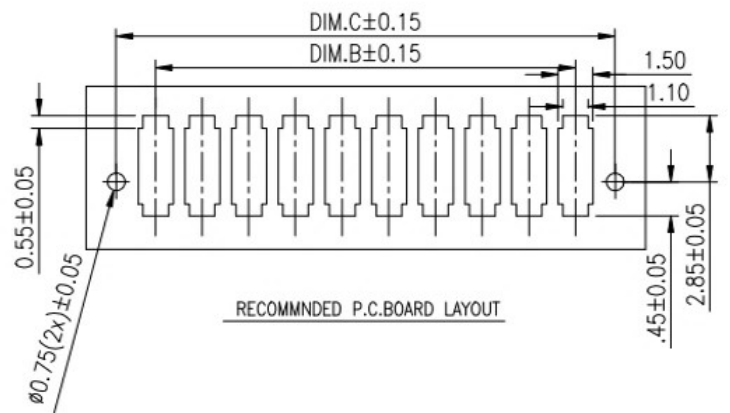
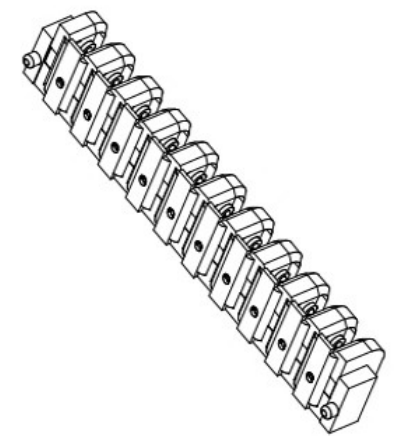
DECIMALS:		ANGLES:	
DIM	TOL	DIM	TOL
X.	±0.50	X.	±2°
X.X	±0.30	X.X	±1°
X.XX	±0.20	X.XX	----
X.XXX	±0.10	X.XXX	----

DWG NO.	PART NAME:
DESIGN:	PART NO.
CHECK:	REV. A
APPROVED	UNIT: mm
	SHEET: 1/1

REV.	ECN NO.	DESCRIPTION	DESIGN	DATE
A		INITIAL	Kai	2018.03.29



PIN	Dim.A	Dim.B	Dim.C
02pin	6.00	2.00	5.40
03pin	8.00	4.00	7.40
04pin	10.00	6.00	9.40
05pin	12.00	8.00	11.40
06pin	14.00	10.00	13.40
07pin	16.00	12.00	15.40
08pin	18.00	14.00	17.40
09pin	20.00	16.00	19.40
10pin	22.00	18.00	21.40



NOTE:
 Material
 Insulator:Nylon 9T(UL94V-0)
 Contact:phosphor Bronze
 Contact Plated:Gold over Nickel or Tin
 Specification
 Rated voltage: 12V 30V
 Current rating: 3A 5A
 instant CURRENT:7A
 Contact Resistance:30MΩ
 Insulation Resistance:100MΩ
 Dielectric Voltage:1000V
 Operdting Temperature:-40°~105°

UNLESS OTHERWISE SPECIFIED TOLERANCES				广东科斯达电器开关厂			
DECIMALS:		ANGLES:		DWG NO.	PART NAME:		
DIM	TOL	DIM	TOL	DESIGN:	PART NO.		
X.	±0.50	X.	±2°	CHECK:	REV. UNIT: SHEET:		
X.X	±0.30	X.X	±1°	APPROVED	A	mm	1/1
X.XX	±0.20	X.XX	----				
X.XXX	±0.10	X.XXX	----				

ITEM	PART NAME	Q'TY	MATERTAL	DESCRIPTION	REMARK
②	HOUSING	1	LCP		BLACK
①	CONTACT A	2	PHOSPHOR BRONZE 0.20T	Au PLATED	