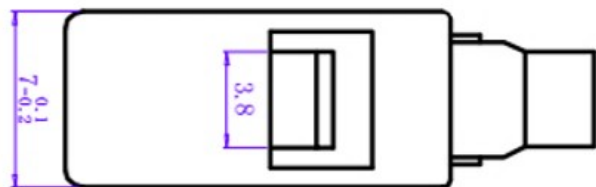
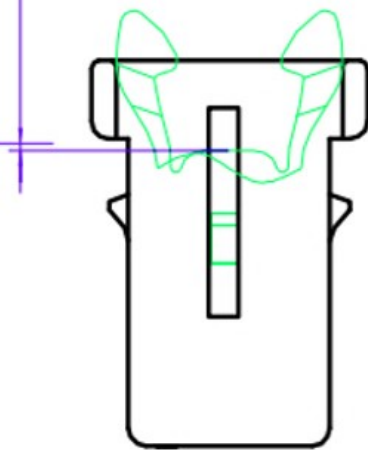
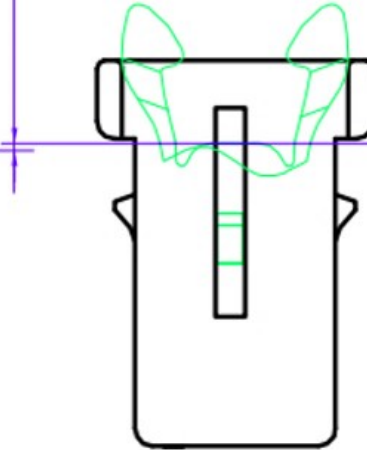
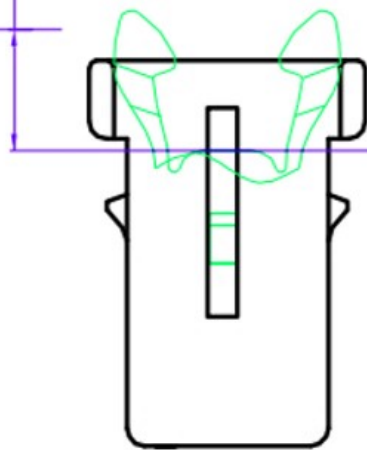


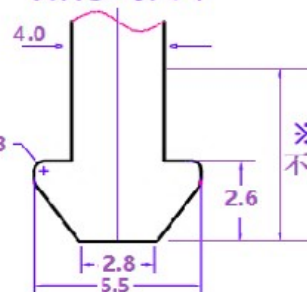
下压5.6mm 达到锁定行程

回弹1.1mm 呈锁住状态

继续下压1.1mm 即达到开锁行程



锁舌参考尺寸



※ 两侧必须做倒角R0.3

※ 锁舌长度不得短于5.8mm

外壳: POM

按键: PA66

弹簧: SUS304

钩针: SUS304

脱钩力: 20N

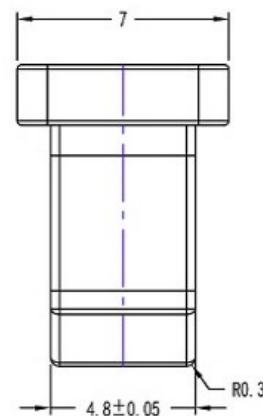
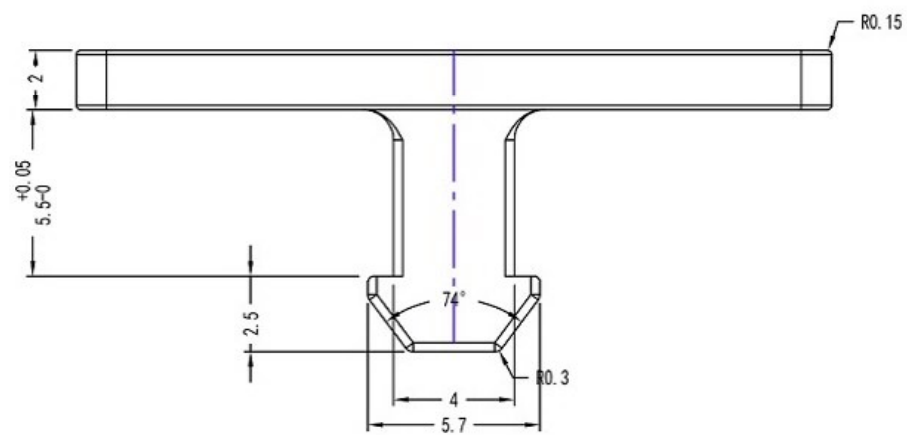
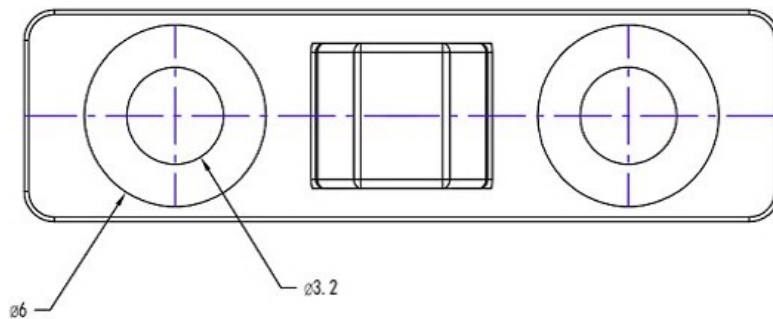
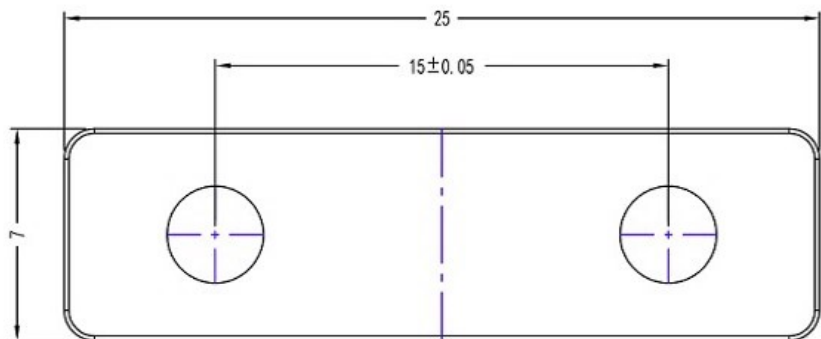
注: 未标公差的尺寸公差为±0.1mm

※ 注: 锁舌厚度或者直径不能大于5.7mm

TITLE	DOOR LATCH SWITCH	DRAWN		TOLERANCE OTHERWISE UNLESS SPECIFIED	8				
PART NO.	Lock switch	CHECKED		UP TO 5	±0.2	6			
DRAW NO.		APPROVED		ABOVE 5 ~ 30	±0.3	5			
SCALE: 2:1	UNIT: mm	DATE:		ABOVE 30 ~ 50	±0.4	4			
				ABOVE 50	±0.5	3	SPRING	SUS	1 Ni PLATED
				ANGLE	±3'	2	HOUSING	POM	1 BLACK
						1	SLIDER	PA12	1 BLACK
						NO.	PARTS	MATERIAL	QTY. FINISHING
							WWW.KSDKG.COM WWW.BODONGKAIGUAN.NET		



广东科斯达开关厂



注：“*”表示关键尺寸（3个）

TITLE	DOOR LATCH SWITCH	DRAWN	TOLERANCE OTHERWISE UNLESS SPECIFIED		8				
PART NO.		CHECKED	UP TO 5	±0.2	7				
DRAW NO.		APPROVED	ABOVE 5 ~ 30	±0.3	6				
SCALE: 2:1	UNIT: mm	DATE:	ABOVE 30 ~ 50	±0.4	5				
			ABOVE 50	±0.5	4				
			ANGLE	±3°	3	SPRING	SUS	1	Ni PLATED
					2	HOUSING	POM	1	BLACK
					1	SLIDER	PA12	1	BLACK
					NO.	PARTS	MATERIAL	QTY.	FINISHING
					WWW.KSDKG.COM WWW.BODONGKAIGUAN.NET				



广东科斯达开关厂