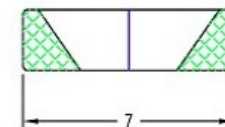
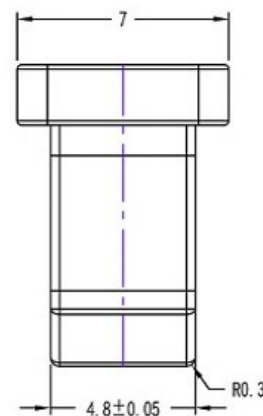
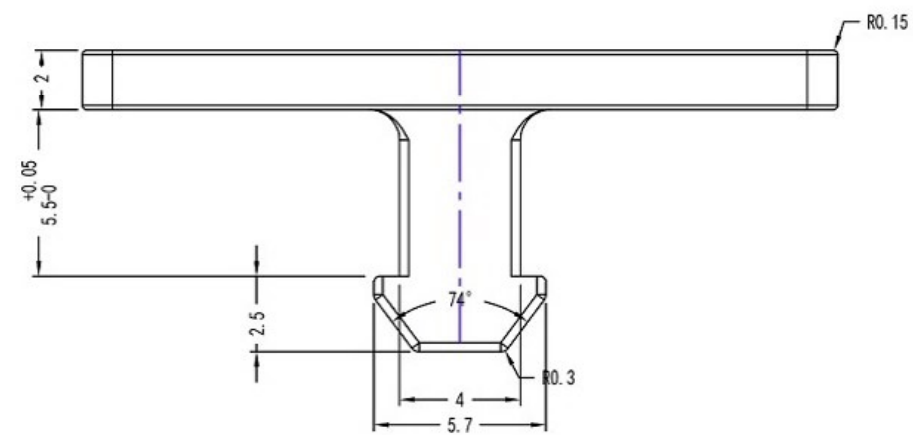
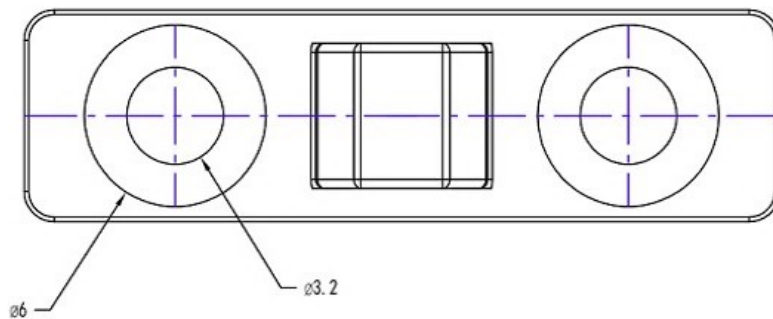
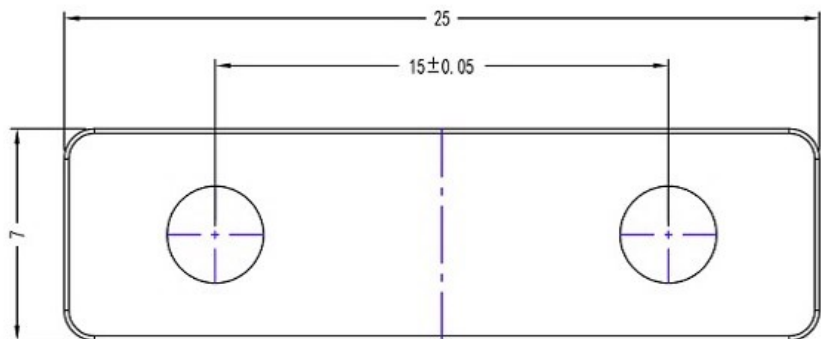


TITLE	DOOR LATCH SWITCH	DRAWN	TOLERANCE OTHERWISE UNLESS SPECIFIED		8				
PART NO.		CHECKED	UP TO 5	±0.2	7				
DRAW NO.		APPROVED	ABOVE 5 ~ 30	±0.3	6				
SCALE: 2:1	UNIT: mm	DATE:	ABOVE 30 ~ 50	±0.4	5				
			ABOVE 50	±0.5	4				
			ANGLE	±3'	3	SPRING	SUS	1	Ni PLATED
					2	HOUSING	POM	1	BLACK
					1	SLIDER	PA12	1	BLACK
					NO.	PARTS	MATERIAL	QTY.	FINISHING



广东科斯达开关厂

WWW.KSDKG.COM WWW.BODONGKAIGUAN.NET



注：“*”表示关键尺寸（3个）

TITLE	DOOR LATCH SWITCH	DRAWN		TOLERANCE OTHERWISE UNLESS SPECIFIED	8				
PART NO.		CHECKED		UP TO 5	±0.2	6			
DRAW NO.		APPROVED		ABOVE 5 ~ 30	±0.3	5			
SCALE: 2:1	UNIT: mm	DATE:		ABOVE 30 ~ 50	±0.4	4			
				ABOVE 50	±0.5	3	SPRING	SUS	1 Ni PLATED
				ANGLE	±3°	2	HOUSING	POM	1 BLACK
						1	SLIDER	PA12	1 BLACK
						NO.	PARTS	MATERIAL	QTY. FINISHING
							WWW.KSDKG.COM WWW.BODONGKAIGUAN.NET		



广东科斯达开关厂