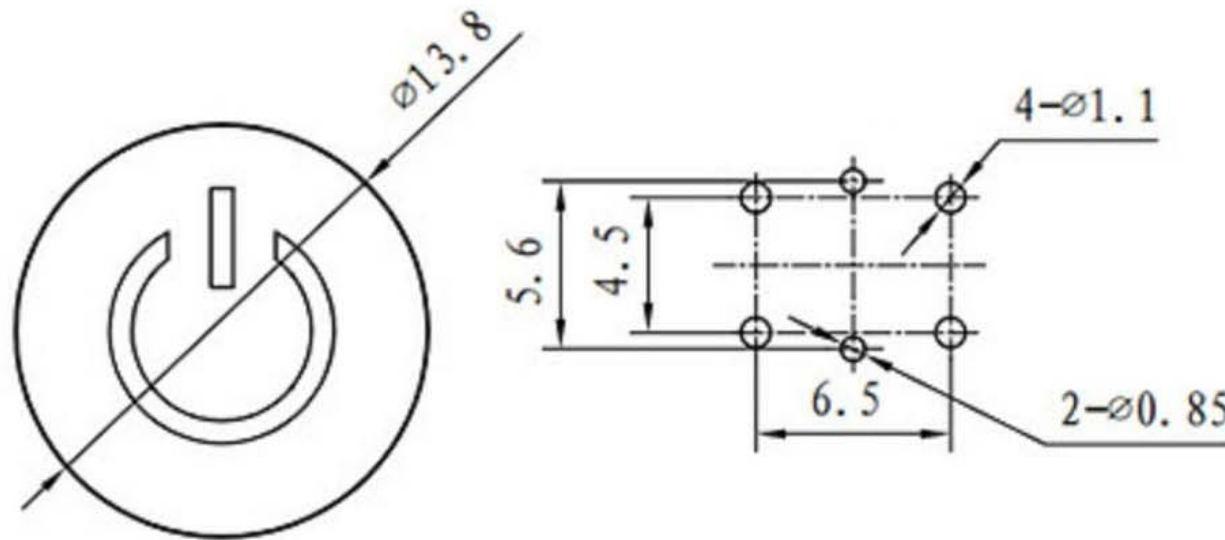


SCHEMATIC



SPECIFICATIONS

1. RATING : 0.5mA 12VDC MAX .
2. CONTACT RESISTANCE : 100 mΩ MAX .
3. INSULATION RESISTANCE : 500 V DC , 100 MΩ MIN
4. OPERATING TEMPERATURE : -20℃ ~ 70℃ .
5. OPERATING FORCE : 160±50gf . 250±50gf
6. OPERATING LIFE : 100,000 CYCLES .

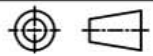


# 广东科斯达开关厂

TITLE : LLUMINATED TACTILE SWITCH

MODEL :

DRAWING NO. : -



|               |        |       |            |                    |
|---------------|--------|-------|------------|--------------------|
| UNIT : M M    | DWN.   | LSX   | 2015-02-18 | GENERAL TOLERANCE  |
| SCALE : 5 : 1 | CHK'D  | LJ    | 2015-02-18 | WITHIN 1.5mm±0.1mm |
| LEVEL 1       | REV R1 | APPD. | CC         | 2015-02-18         |
|               |        |       |            | OVER 1.5mm±0.2mm   |

|     |           |             |      |               |
|-----|-----------|-------------|------|---------------|
| 9   |           |             |      |               |
| 8   |           |             |      |               |
| 7   |           |             |      |               |
| 6   | CAP       | ABS/PC      | 1    | SLIVER /BLACK |
| 5   | CONTACT   | PBS         | 1    | Ag CLAD       |
| 4   | TERMINAL  | BRASS STRIP | 4    | Ag PLATED     |
| 3   | BASE      | PA66        | 1    | BLACK         |
| 2   | COVER     | PET         | 1    | NATURAL       |
| 1   | KNOB      | PA66        | 1    | WHITE         |
| NO. | PART NAME | MATERIAL    | QTY. | FINISHING     |