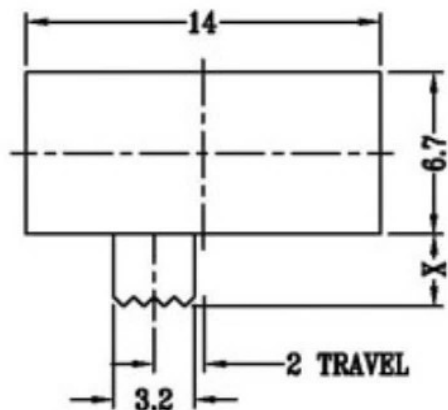
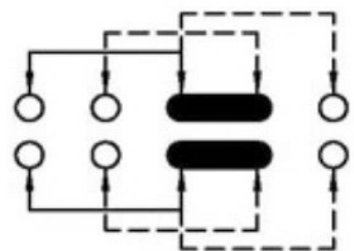


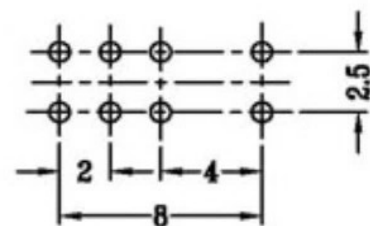
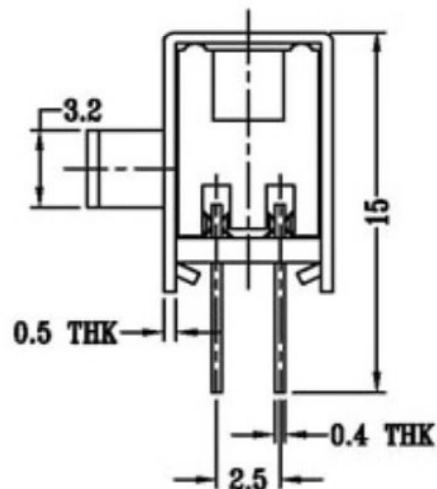
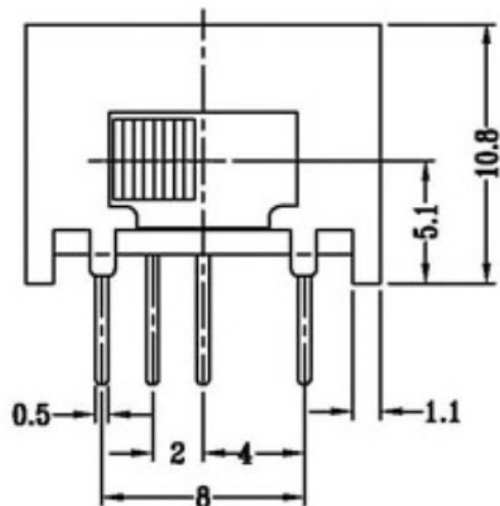
CAD FILE:



X=3-10
单位: mm



SCHEMATIC(NON-SHORTING)



P.C.B LAYOUT
BOTTOM VIEW

注: "*"表示关键尺寸(6个)

NO.	PARTS	MATERIALS	QTY	FINISH	TOLERANCE UNLESS SPECIFIED		ISSUE DATE		DESCRIPTIONS OF REVISION		APPD
8											
7	STEEL BALL	STEEL	1	NATURAL			A	2012-12-25	初板		
6	SPRING	STEEL WIRE	1	NATURAL							
5	CONTACT CLIP	PBS STRIP	2	Ag PLATED	WITHIN		ISSUE	DATE			
4	TERMINAL	BRASS STRIP	10	Ag PLATED	OVER						
3	BASE	PHENOLIC RESIN	1	BLACK	TITLE: HORIZONTAL SLIDE SWITCH		UNIT : mm		DRWG NO.:		
2	FRAME	STEEL STRIP	1	Ni PLATED	MODEL:		SCALE: 2:1		DWN		2012-12-25
1	KNOB	POM	1	BLACK	广东科斯达开关厂				CHK'D		
									APPD		