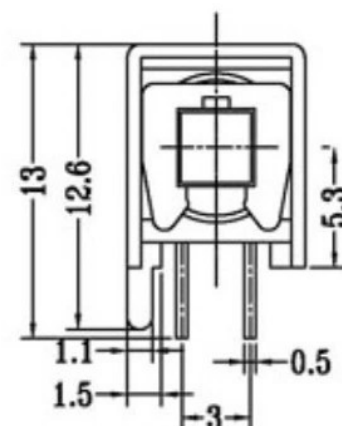
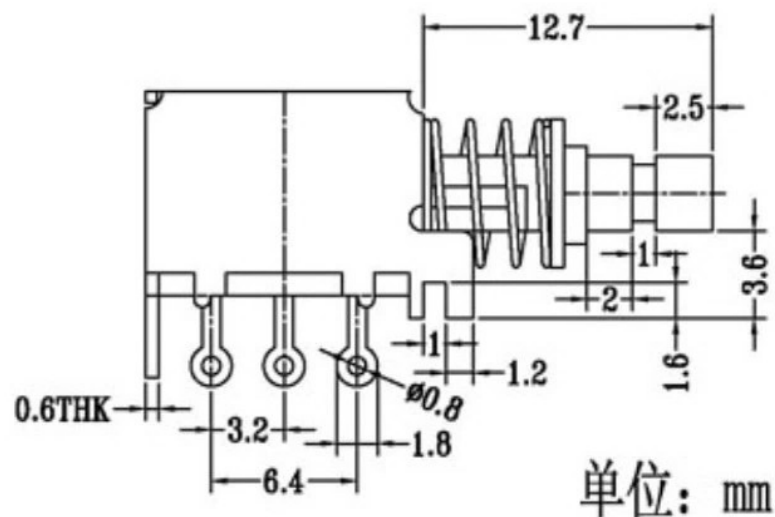
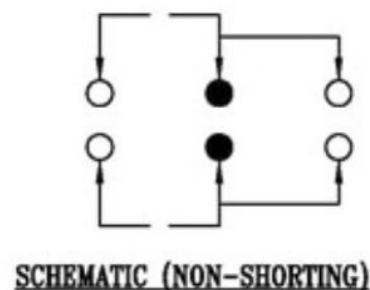
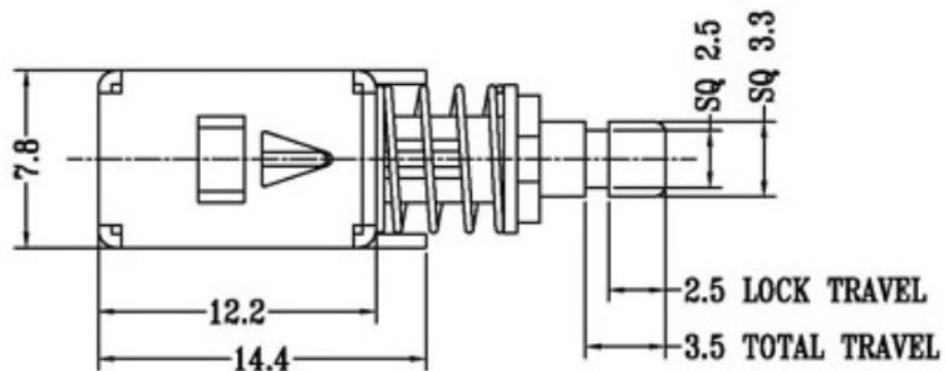




CAD FILE:



注: "\*"表示关键尺寸(6个)

NO.	PARTS	MATERIALS	Q'TY	FINISHING						
9	CONTACT CLIP	PBS C5210R-EH	1	Ag CLAD						
8	SPRING PLATE	PBS STRIP	1	Ni PLATED						
7	BASE	PHENOLIC RESIN	1	NATURAL						
6	TERMINAL	BRASS STRIP	3	Ag PLATED						
5	KNOB	PA66	1	BLUE						
4	BLOCK	STEEL STRIP	1	Ni PLATED						
3	SPRING	STEEL WIRE	1	Ni PLATED						
2	CAM STICK	PBS WIRE	1	Ni PLATED						
1	FRAME	STEEL STRIP	1	Ni PLATED						
					TOLERANCE UNLESS SPECIFIED					
					WITHIN 1.5mm : ±0.1mm	A	2012-8-22	初版		
					OVER 1.5mm : ±0.2mm	ISSUE	DATE	DESCRIPTIONS OF REVISION		
					TITLE : PUSH SWITCH		UNIT : mm	DRWG NO.:		
					MODEL:		SCALE: 3:1	DWN. 2012-8-22		
					<b>广东科斯达开关厂</b>		CHK'D		2012-8-22	
							APPD.		2012-8-22	