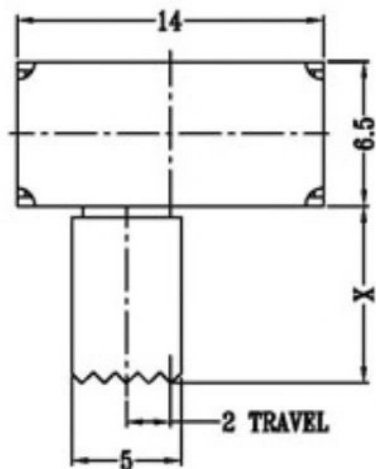
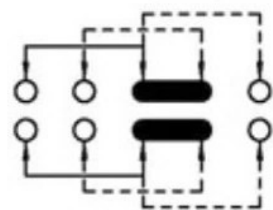




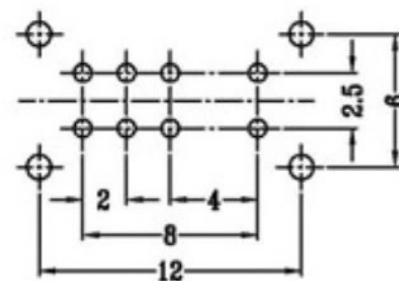
CAD FILE:



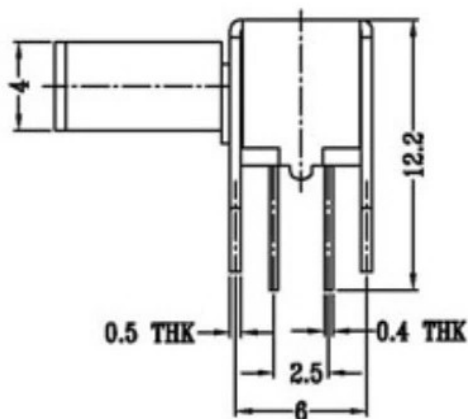
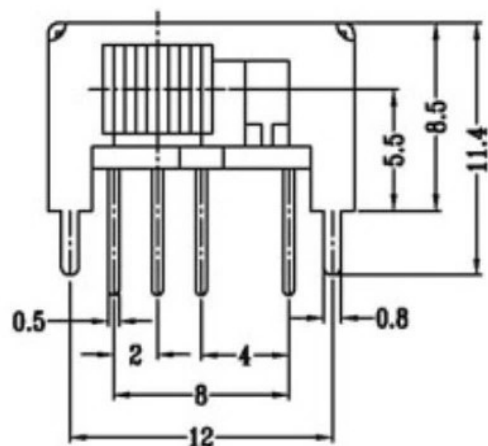
X=3-12  
单位: mm



SCHEMATIC (SHORTING)



P.C.B LAYOUT



注: "\*"表示关键尺寸(6个)

NO.	PARTS	MATERIALS	QTY	FINISH	TOLERANCE UNLESS SPECIFIED		A		初板	
8					WITHIN OVER	ISSUE	DATE	2012-12-25		APPD
7	STEEL BALL	STEEL	1	NATURAL				DESCRIPTIONS OF REVISION		
6	SPRING	STEEL WIRE	1	NATURAL	TITLE: HORIZONTAL SLIDE SWITCH		UNIT : mm		DWN	
5	CONTACT CLIP	PBS STRIP	2	Ag PLATED	MODEL:		SCALE: 2:1		2012-12-25	
4	TERMINAL	BRASS STRIP	10	Ag PLATED	广东科斯达开关厂		SCALE: 2:1		CHK'D	
3	BASE	PHENOLIC RESIN	1	BLACK					APPD	
2	FRAME	STEEL STRIP	1	Ni PLATED						
1	KNOB	POM	1	BLACK						