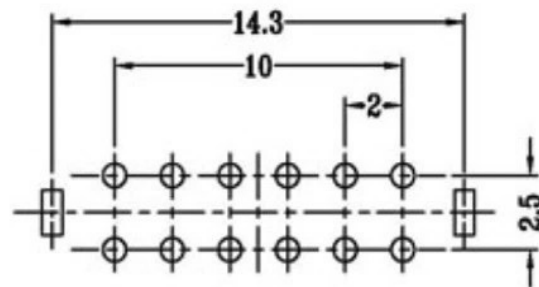
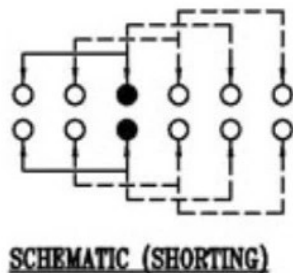
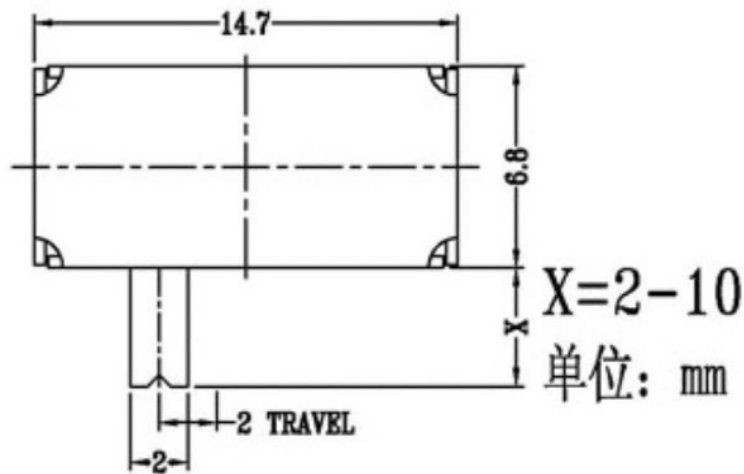
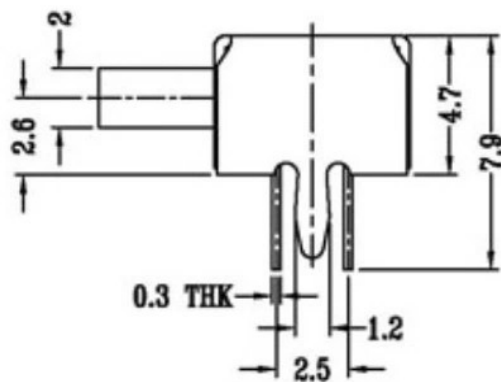
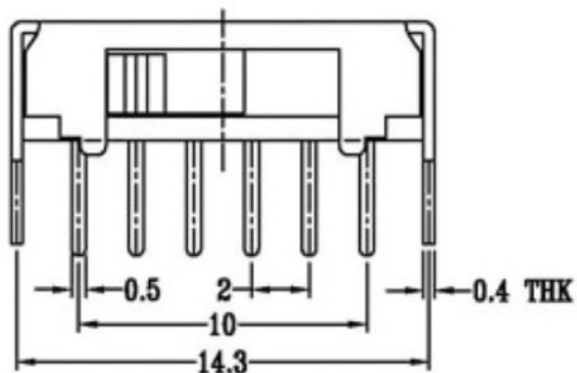


CAD FILE:



P.C.B LAYOUT
BOTTOM VIEW



注: "*"表示关键尺寸(6个)

NO.	PARTS	MATERIALS	QTY	FINISH	TOLERANCE UNLESS SPECIFIED		ISSUE DATE		DESCRIPTIONS OF REVISION		APPD		
8													
7	STEEL BALL	STEEL	1	NATURAL	WITHIN		A	2012-12-25	初板				
6	SPRING	STEEL WIRE	1	NATURAL	OVER		ISSUE	DATE					
5	CONTACT CLIP	PBS STRIP	2	Ag PLATED	TITLE: HORIZONTAL SLIDE SWITCH		UNIT : mm		DRWG NO.:				
4	TERMINAL	BRASS STRIP	10	Ag PLATED	MODEL:		SCALE: 2:1		DWN		2012-12-25		
3	BASE	PHENOLIC RESIN	1	BLACK	广东科斯达开关厂				CHK'D				
2	FRAME	STEEL STRIP	1	Ni PLATED							APPD		2012-12-25
1	KNOB	POM	1	BLACK									