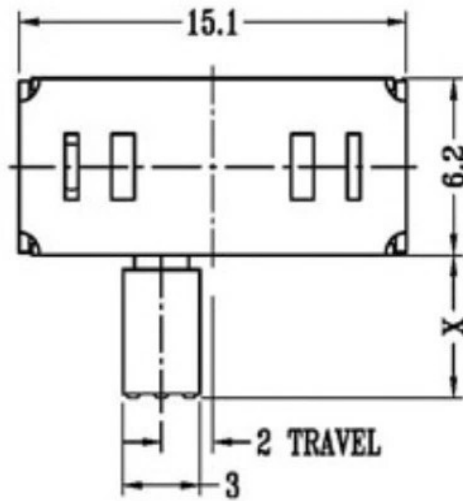
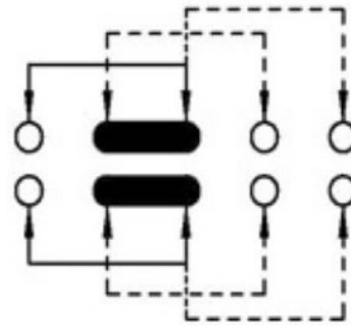




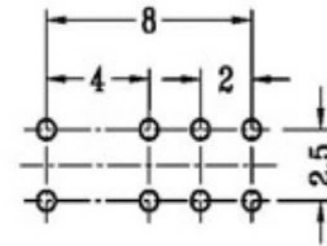
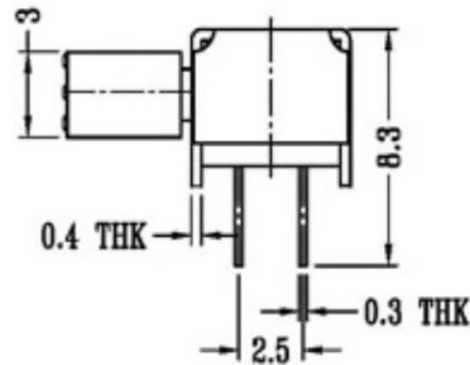
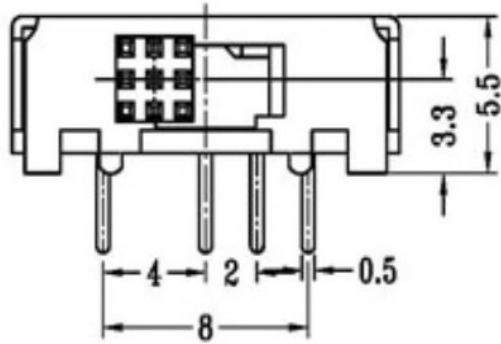
CAD FILE:



X=3-10  
单位: mm



SCHEMATIC (SHORTING)

P.C.B LAYOUT  
BOTTOM VIEW

注: "\*"表示关键尺寸(6个)

| NO. | PARTS        | MATERIALS      | QTY | FINISH    | TOLERANCE UNLESS SPECIFIED     |   |            |       | DESCRIPTIONS OF REVISION |            | APPD       |            |
|-----|--------------|----------------|-----|-----------|--------------------------------|---|------------|-------|--------------------------|------------|------------|------------|
| 8   |              |                |     |           | WITHIN OVER                    | A | 2012-12-25 | 初板    |                          |            |            |            |
| 7   | STEEL BALL   | STEEL          | 1   | NATURAL   |                                |   |            | ISSUE | DATE                     |            |            |            |
| 6   | SPRING       | STEEL WIRE     | 1   | NATURAL   | TITLE: HORIZONTAL SLIDE SWITCH |   |            |       |                          | UNIT : mm  | DRWG NO.:  |            |
| 5   | CONTACT CLIP | PBS STRIP      | 2   | Ag PLATED | MODEL:                         |   |            |       |                          | SCALE: 2:1 | DWN        | 2012-12-25 |
| 4   | TERMINAL     | BRASS STRIP    | 10  | Ag PLATED | <b>广东科斯达开关厂</b>                |   |            |       |                          | CHK'D      |            |            |
| 3   | BASE         | PHENOLIC RESIN | 1   | BLACK     |                                |   |            |       |                          | APPD       | 2012-12-25 |            |
| 2   | FRAME        | STEEL STRIP    | 1   | Ni PLATED |                                |   |            |       |                          |            |            |            |
| 1   | KNOB         | POM            | 1   | BLACK     |                                |   |            |       |                          |            |            |            |