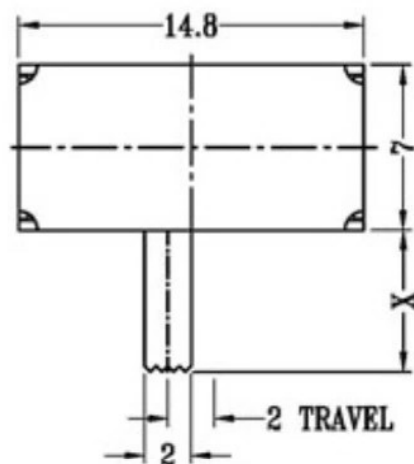
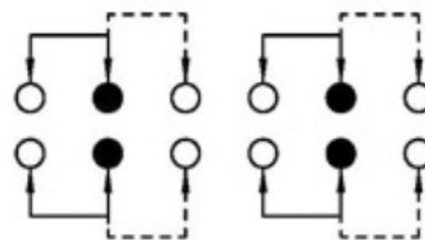




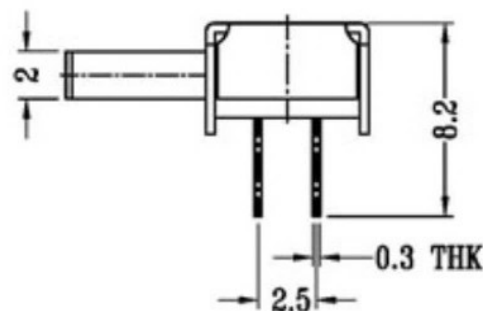
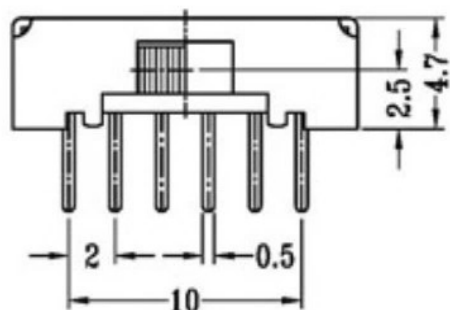
CAD FILE:



X=2-10
单位:mm



SCHEMATIC (NON-SHORTING)



注: "*"表示关键尺寸(6个)

NO.	PARTS	MATERIALS	QTY	FINISH	TOLERANCE UNLESS SPECIFIED		A		2012-12-25		初板	
					WITHIN	ISSUE	DATE	DESCRIPTIONS OF REVISION				APPD
8					OVER							
7	STEEL BALL	STEEL	1	NATURAL	TITLE: HORIZONTAL SLIDE SWITCH		UNIT : mm	DRWG NO.:				
6	SPRING	STEEL WIRE	1	NATURAL	MODEL:		SCALE: 2:1	DWN			2012-12-25	
5	CONTACT CLIP	PBS STRIP	2	Ag PLATED	广东科斯达开关厂			CHK'D			2012-12-25	
4	TERMINAL	BRASS STRIP	10	Ag PLATED			APPD				2012-12-25	
3	BASE	PHENOLIC RESIN	1	BLACK								
2	FRAME	STEEL STRIP	1	Ni PLATED								
1	KNOB	POM	1	BLACK								