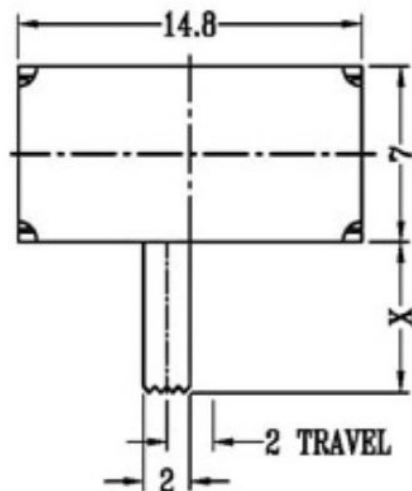
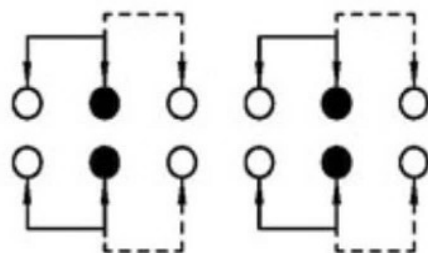


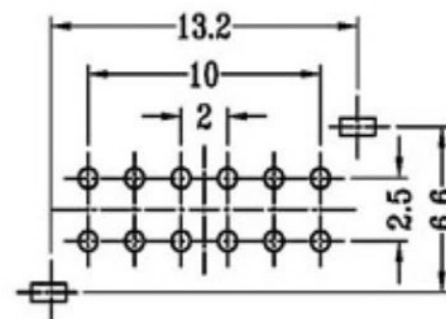
CAD FILE:



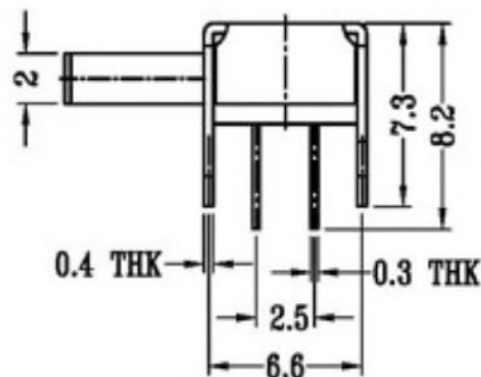
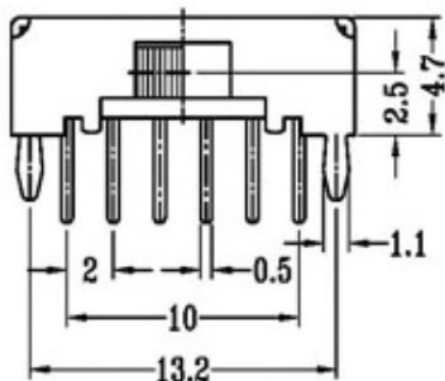
X=2-10
单位: mm



SCHEMATIC (NON-SHORTING)



P.C.B LAYOUT
BOTTOM VIEW



注: "*"表示关键尺寸(6个)

NO.	PARTS	MATERIALS	QTY	FINISH	TOLERANCE UNLESS SPECIFIED		A 2012-12-25		初板		
					WITHIN	ISSUE	DATE	DESCRIPTIONS OF REVISION			APPD
8					OVER			TITLE: HORIZONTAL SLIDE SWITCH			UNIT : mm
7	STEEL BALL	STEEL	1	NATURAL	MODEL:		SCALE: 2:1	DRWG NO.:			
6	SPRING	STEEL WIRE	1	NATURAL				DWN		2012-12-25	
5	CONTACT CLIP	PBS STRIP	2	Ag PLATED				CHK'D			
4	TERMINAL	BRASS STRIP	10	Ag PLATED				APPD			2012-12-25
3	BASE	PHENOLIC RESIN	1	BLACK							
2	FRAME	STEEL STRIP	1	Ni PLATED							
1	KNOB	POM	1	BLACK							
					广东科斯达开关厂						