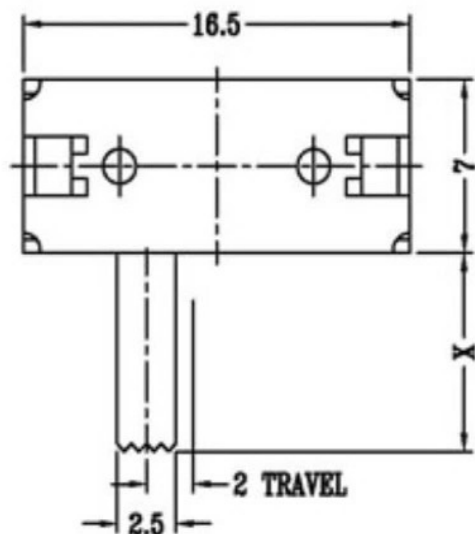
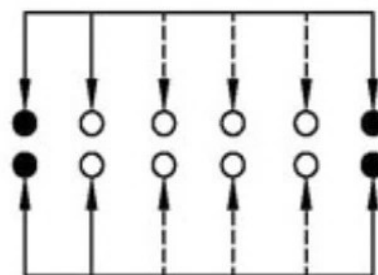


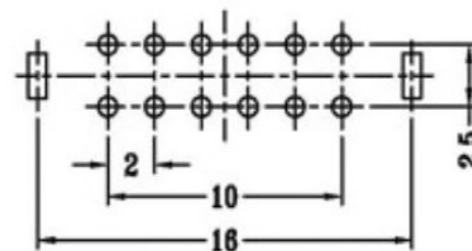
CAD FILE:



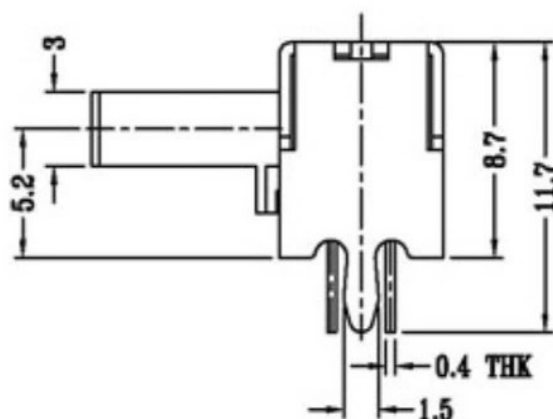
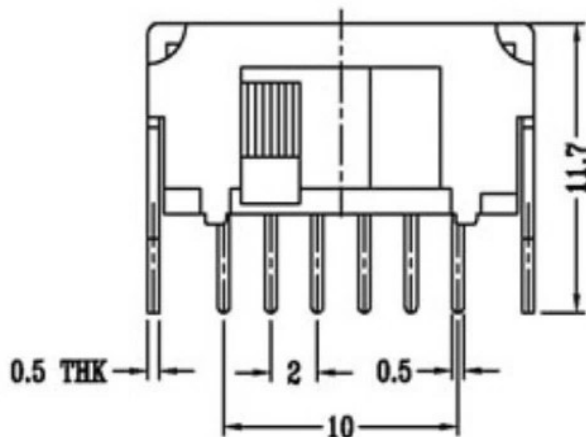
X=3-10  
单位: mm



SCHEMATIC (NON-SHORTING)



P.C.B LAYOUT  
BOTTOM VIEW



注: "\*"表示关键尺寸(6个)

NO.	PARTS	MATERIALS	QTY	FINISH	TOLERANCE UNLESS SPECIFIED				DESCRIPTIONS OF REVISION		APPD	
8					WITHIN OVER	A	2012-12-25	初板				
7	STEEL BALL	STEEL	1	NATURAL				ISSUE	DATE			
6	SPRING	STEEL WIRE	1	NATURAL	TITLE: HORIZONTAL SLIDE SWITCH					UNIT : mm	DRWG NO.:	
5	CONTACT CLIP	PBS STRIP	2	Ag PLATED	MODEL:					SCALE: 2:1	DWN	2012-12-25
4	TERMINAL	BRASS STRIP	10	Ag PLATED	<b>广东科斯达开关厂</b>					CHK'D		
3	BASE	PHENOLIC RESIN	1	BLACK						APPD		2012-12-25
2	FRAME	STEEL STRIP	1	Ni PLATED								
1	KNOB	POM	1	BLACK								