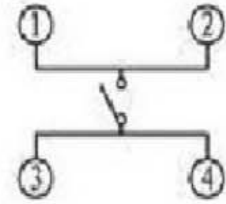
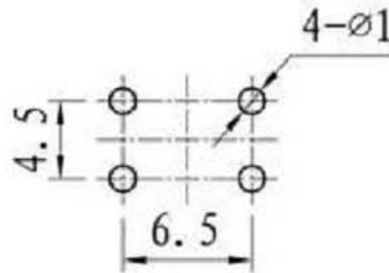
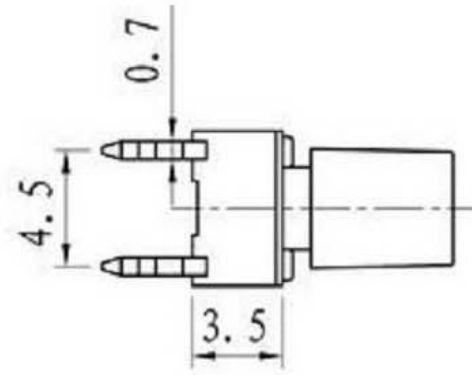
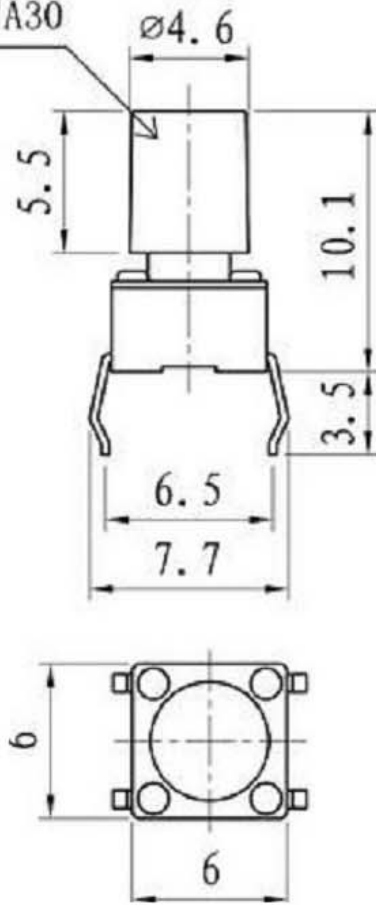


按键帽A30



SCHEMATIC

SPECIFICATIONS

1. RATING : 0.5mA 12VDC MAX .
2. CONTACT RESISTANCE : 100 mΩ MAX .
3. INSULATION RESISTANCE : 500 V DC , 100 MΩ MIN
4. OPERATING TEMPERATURE : -20℃ ~ 70℃ .
5. OPERATING FORCE : 160±50gf . 250±50gf
6. OPERATING LIFE : 100,000 CYCLES .

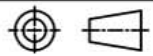


广东科斯达开关厂

TITLE : TACTILE SWITCH

MODEL :

DRAWING NO. : -



UNIT : M M	DWN.	LSX	2015-02-18	GENERAL TOLERANCE	9			
SCALE : 5 : 1	CHK' D	LJ	2015-02-18	WITHIN 1.5mm±0.1mm	8			
LEVEL 1	REV R1	APPD.	2015-02-18	OVER 1.5mm±0.2mm	7			
					6	CAP	ABS/PC	1 SLIVER /BLACK
					5	CONTACT	PBS	1 Ag CLAD
					4	TERMINAL	BRASS STRIP	4 Ag PLATED
					3	BASE	PA66	1 BLACK
					2	COVER	PET	1 NATURAL
					1	KNOB	PA66	1 WHITE
					NO.	PART NAME	MATERIAL	QTY. FINISHING