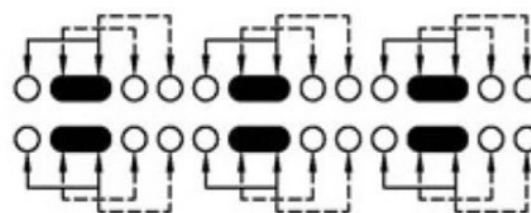
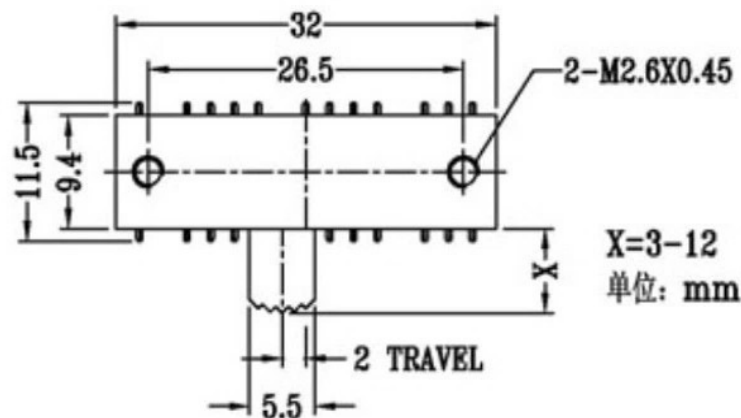
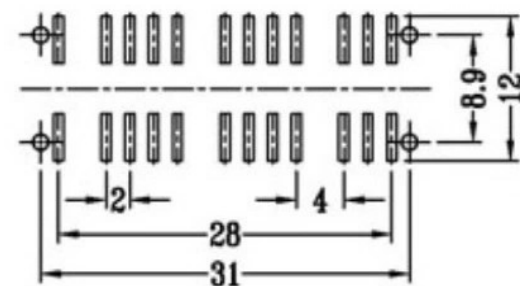
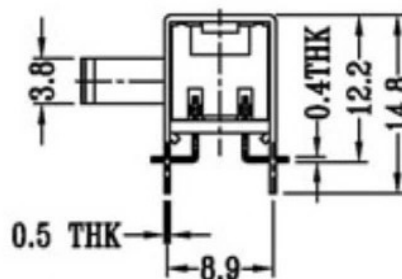
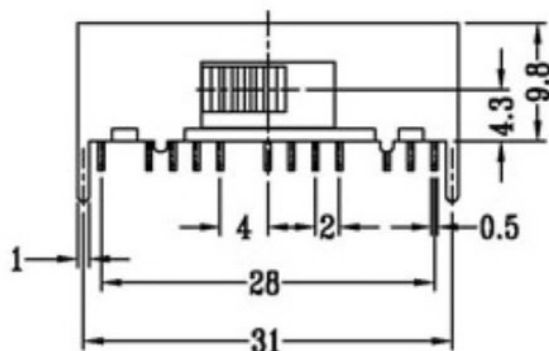


CAD FILE:



SCHEMATIC (SHORTING)



P.C.B LAYOUT
BOTTOM VIEW

注: "*"表示关键尺寸(6个)

| NO. | PARTS | MATERIALS | QTY | FINISH | TOLERANCE UNLESS SPECIFIED | | A | | 2012-12-25 | | 初板 | |
|-----|--------------|----------------|-----|-----------|--------------------------------|-------|------------|--------------------------|------------|------------|------------|------|
| | | | | | WITHIN | ISSUE | DATE | DESCRIPTIONS OF REVISION | | | | APPD |
| 8 | | | | | OVER | | | | | | | |
| 7 | STEEL BALL | STEEL | 1 | NATURAL | TITLE: HORIZONTAL SLIDE SWITCH | | UNIT : mm | DRWG NO.: | | | | |
| 6 | SPRING | STEEL WIRE | 1 | NATURAL | MODEL: | | SCALE: 2:1 | DWN | | 2012-12-25 | | |
| 5 | CONTACT CLIP | PBS STRIP | 2 | Ag PLATED | 广东科斯达开关厂 | | | | CHK'D | | | |
| 4 | TERMINAL | BRASS STRIP | 10 | Ag PLATED | | | APPD | | 2012-12-25 | | | |
| 3 | BASE | PHENOLIC RESIN | 1 | BLACK | | | | | APPD | | 2012-12-25 | |
| 2 | FRAME | STEEL STRIP | 1 | Ni PLATED | | | | | | | | |
| 1 | KNOB | POM | 1 | BLACK | | | | | | | | |