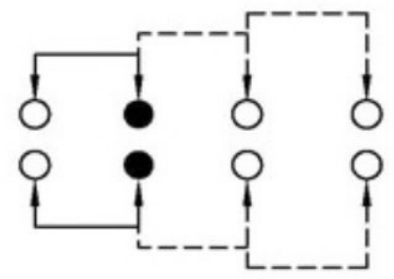
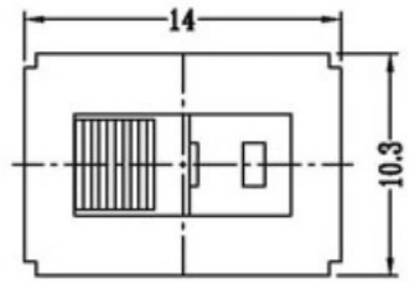
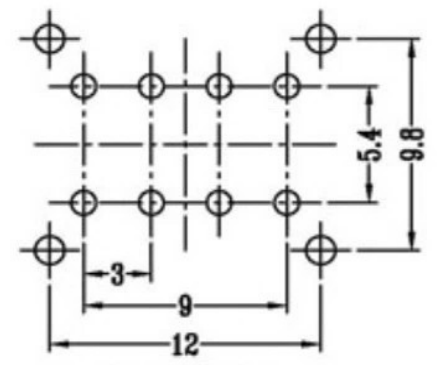




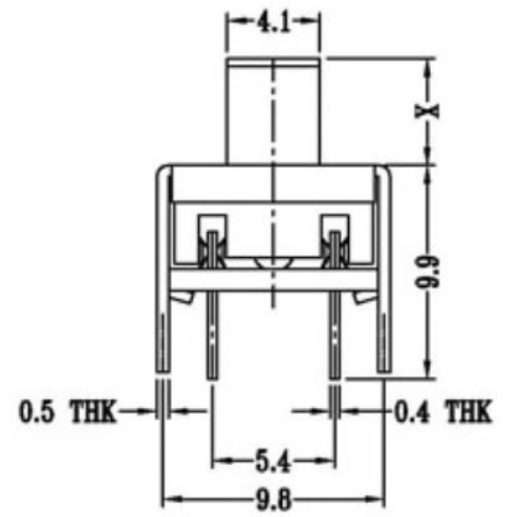
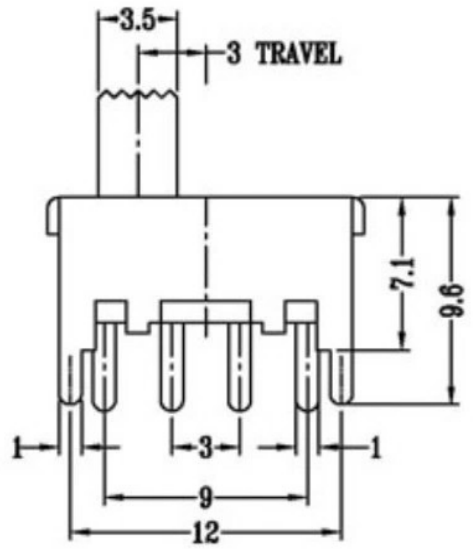
CAD FILE:



SCHMATIC (NON-SHORTING)



P.C.B LAYOUT  
BOTTOM VIEW



X=3-12  
单位: mm

注: "\*"表示关键尺寸(6个)

NO.	PARTS	MATERIALS	Q'TY	FINISH	TOLERANCE UNLESS SPECIFIED		DESCRIPTIONS OF REVISION		APPD.
8					WITHIN	A	2012-10-26	初版	
7	STEEL BALL	STEEL	1	NATURAL	OVER	ISSUE	DATE		
6	SPRING	STEEL WIRE	1	NATURAL	TITLE : VERTICAL SLIDE SWITCH MODEL:				
5	CONTACT CLIP	PBS STRIP	2	Ag PLATED					
4	TERMINAL	BRASS STRIP	8	Ag PLATED	DRWG NO.:				
3	BASE	PHENOLIC RESIN	1	NATURAL	DWN.				
2	FRAME	STEEL STRIP	1	Ni PLATED	2012-10-26				
1	KNOB	POM	1	BLACK	CHK'D				
					2012-10-26				
					APPD.				

**广东科斯达开关厂**