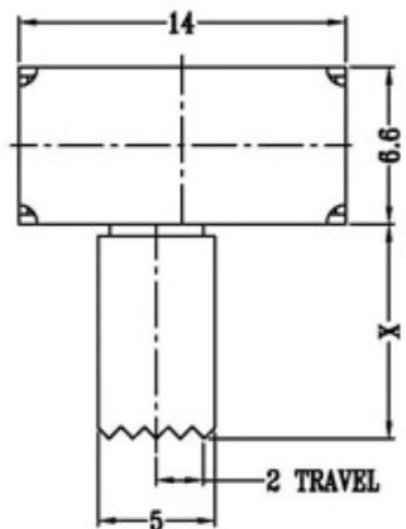
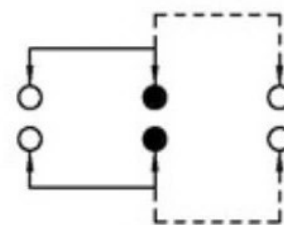


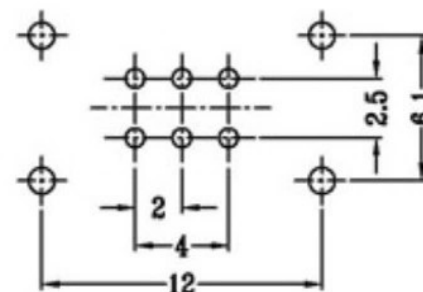
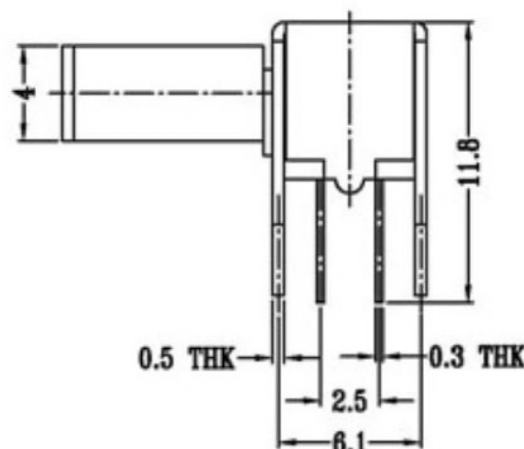
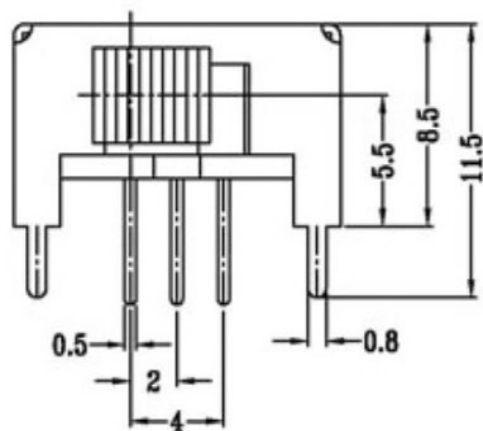
CAD FILE:



X=2-11
单位: mm



SCHEMATIC (SHORTING)



P.C.B LAYOUT
BOTTOM VIEW

注: "*"表示关键尺寸(6个)

NO.	PARTS	MATERIALS	QTY	FINISH	TOLERANCE UNLESS SPECIFIED		A		2012-12-25		初板			
					WITHIN	ISSUE	DATE	DESCRIPTIONS OF REVISION				APPD		
8					OVER									
7	STEEL BALL	STEEL	1	NATURAL	TITLE: HORIZONTAL SLIDE SWITCH							UNIT : mm	DRWG NO.:	
6	SPRING	STEEL WIRE	1	NATURAL	MODEL:							SCALE: 2:1	DWN	2012-12-25
5	CONTACT CLIP	PBS STRIP	2	Ag PLATED	<h1>广东科斯达开关厂</h1>							CHK'D		
4	TERMINAL	BRASS STRIP	10	Ag PLATED								APPD		2012-12-25
3	BASE	PHENOLIC RESIN	1	BLACK										
2	FRAME	STEEL STRIP	1	Ni PLATED								APPD	2012-12-25	
1	KNOB	POM	1	BLACK										