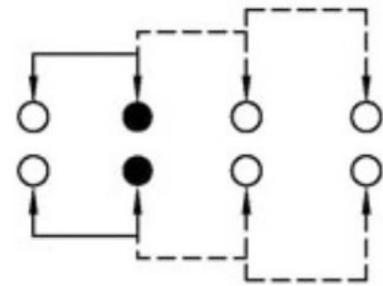
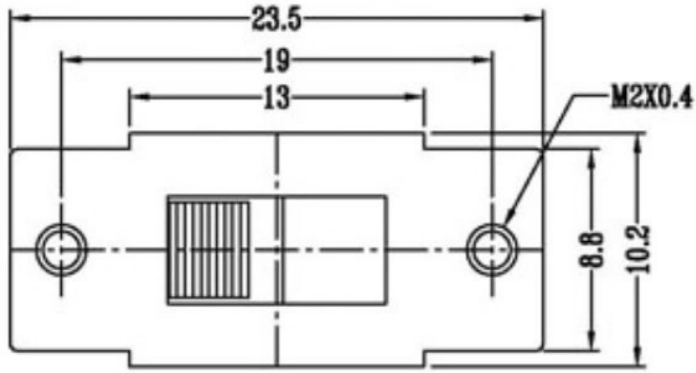


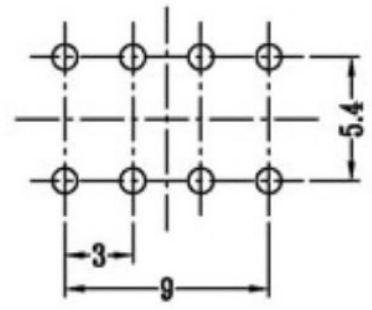
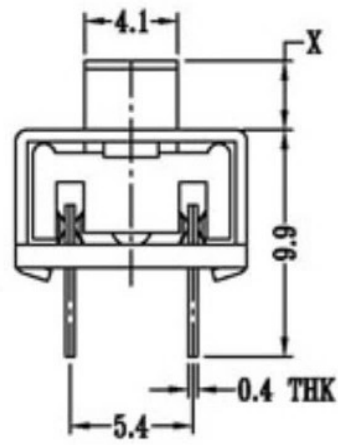
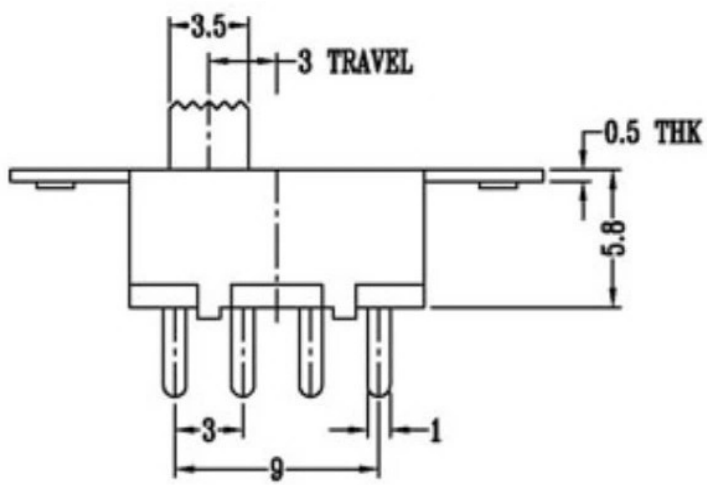


CAD FILE:



SCHMATIC (NON-SHORTING)

X=3-12  
单位: mm



P.C.B LAYOUT  
BOTTOM VIEW

注: "\*"表示关键尺寸(6个)

8					TOLERANCE						
7	STEEL BALL	STEEL	1	NATURAL	UNLESS SPECIFIED						
6	SPRING	STEEL WIRE	1	NATURAL	WITHIN		A	2012-10-26	初版		
5	CONTACT CLIP	PBS STRIP	2	Ag PLATED	OVER		ISSUE	DATE	DESCRIPTIONS OF REVISION		APPD.
4	TERMINAL	BRASS STRIP	8	Ag PLATED	TITLE : VERTICAL SLIDE SWITCH				UNIT : mm	DRWG NO.:	
3	BASE	PHENOLIC RESIN	1	NATURAL	MODEL:				SCALE: 3:1	DWN.	2012-10-26
2	FRAME	STEEL STRIP	1	Ni PLATED	<b>广东科斯达开关厂</b>				APPD.		2012-10-26
1	KNOB	POM	1	BLACK					APPD.		
NO.	PARTS	MATERIALS	Q'TY	FINISH							