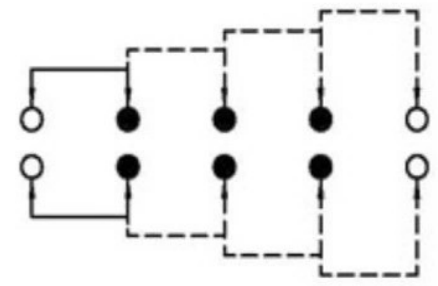
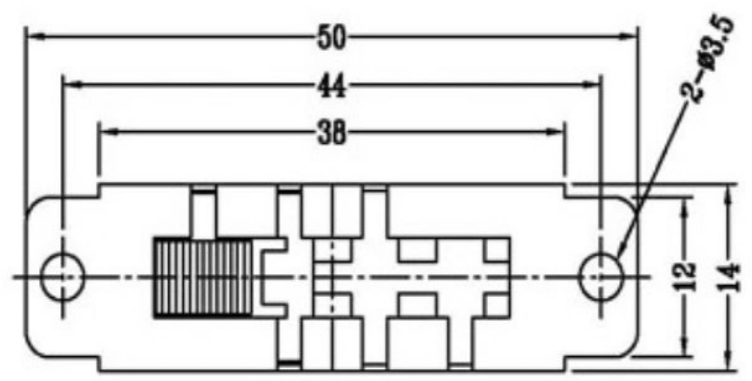


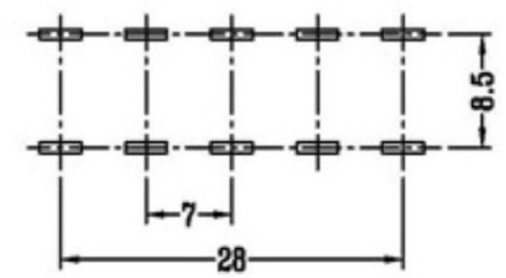
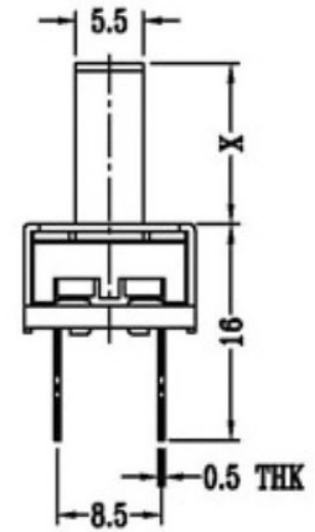
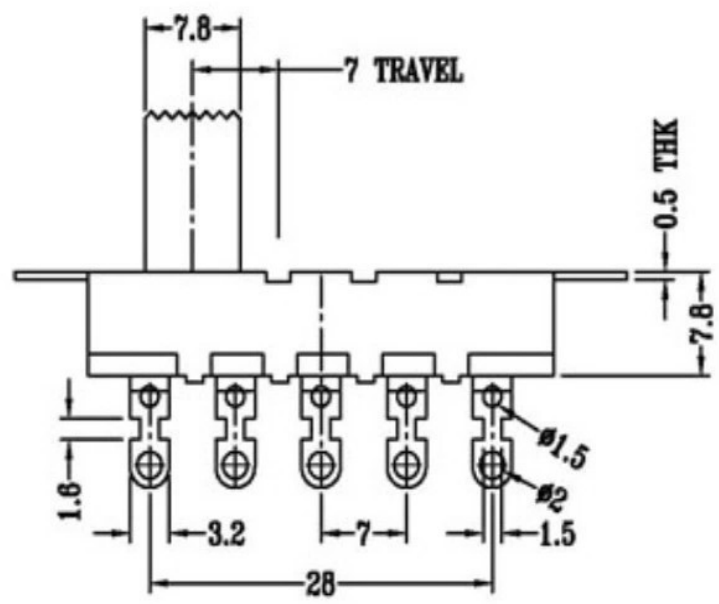


CAD FILE:



SCHEMATIC (NON-SHORTING)

X=3-13
单位: mm



P.C.B LAYOUT
BOTTOM VIEW

注: "*"表示关键尺寸(6个)

8					TOLERANCE UNLESS SPECIFIED							
7	STEEL BALL	STEEL	1	NATURAL	WITHIN				A	2012-10-26	初版	
6	SPRING	STEEL WIRE	1	NATURAL	OVER				ISSUE	DATE	DESCRIPTIONS OF REVISION	
5	CONTACT CLIP	PBS STRIP	2	Ag PLATED	TITLE : VERTICAL SLIDE SWITCH				UNIT : mm		DRWG NO.:	
4	TERMINAL	BRASS STRIP	8	Ag PLATED	MODEL:				SCALE: 3:1		DWN.	2012-10-26
3	BASE	PHENOLIC RESIN	1	NATURAL	广东科斯达开关厂				CHK'D		2012-10-26	
2	FRAME	STEEL STRIP	1	Ni PLATED					APPD.			
1	KNOB	POM	1	BLACK								
NO.	PARTS	MATERIALS	Q'TY	FINISH								