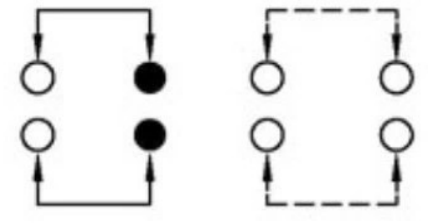
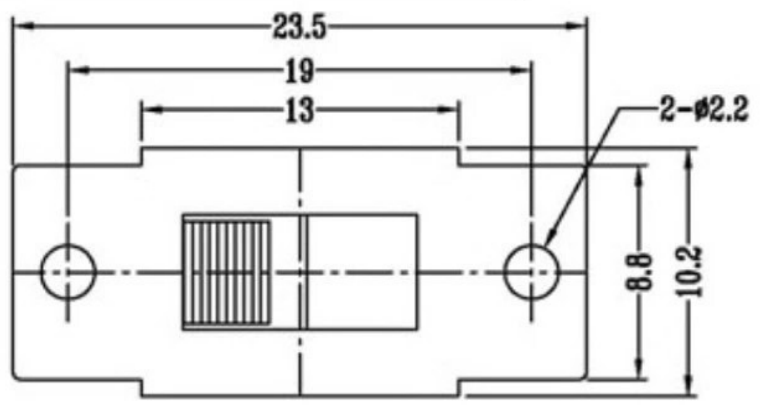
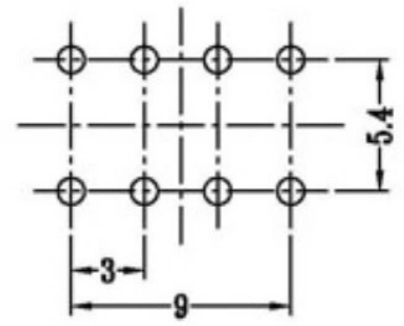
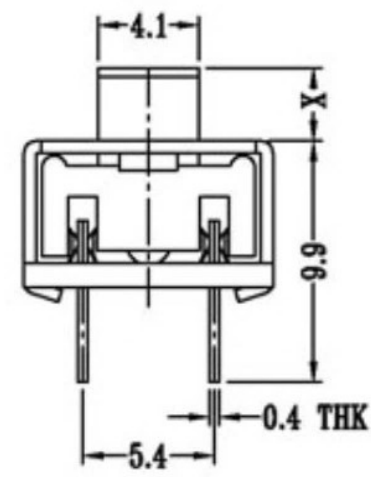
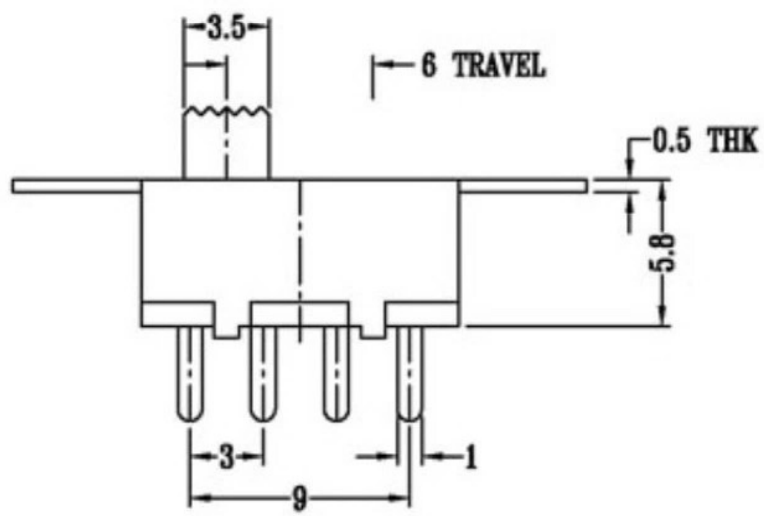


CAD FILE:



SCHMATIC (NON-SHORTING)

X=3-10  
单位: mm



P.C.B LAYOUT  
BOTTOM VIEW

注: "\*"表示关键尺寸(6个)

NO.	PARTS	MATERIALS	Q'TY	FINISH
8				
7	STEEL BALL	STEEL	1	NATURAL
6	SPRING	STEEL WIRE	1	NATURAL
5	CONTACT CLIP	PBS STRIP	2	Ag PLATED
4	TERMINAL	BRASS STRIP	8	Ag PLATED
3	BASE	PHENOLIC RESIN	1	NATURAL
2	FRAME	STEEL STRIP	1	Ni PLATED
1	KNOB	POM	1	BLACK

TOLERANCE					
UNLESS SPECIFIED					
WITHIN	A	2012-10-26	初版		
OVER	ISSUE	DATE	DESCRIPTIONS OF REVISION		APPD.
TITLE : VERTICAL SLIDE SWITCH			UNIT : mm	DRWG NO.:	
MODEL:			SCALE: 3:1	DWN.	2012-10-26
<b>广东科斯达开关厂</b>				CHK'D	
				APPD.	2012-10-26