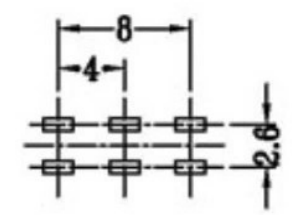
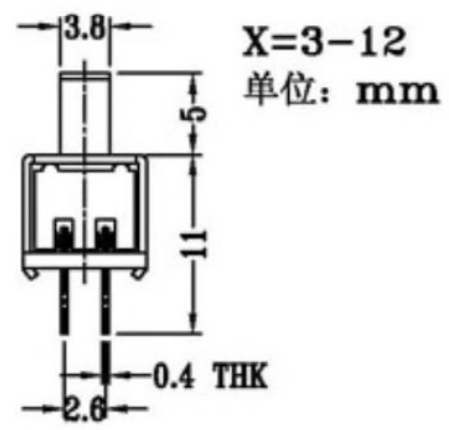
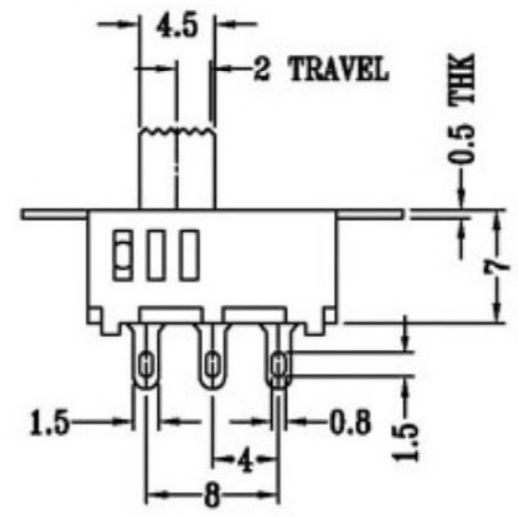
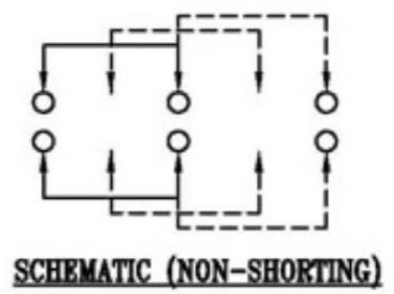
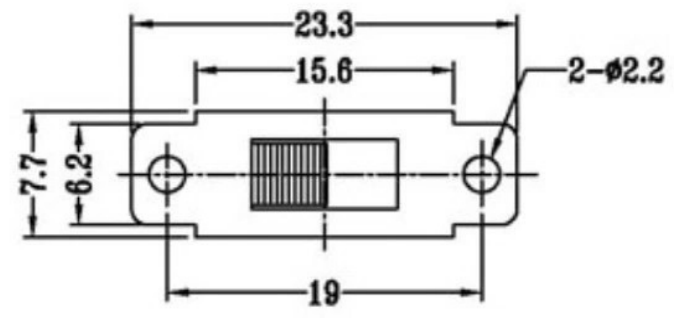


CAD FILE:



P.C.B LAYOUT  
BOTTOM VIEW

注: "\*"表示关键尺寸(6个)

NO.	PARTS	MATERIALS	Q'TY	FINISH	TOLERANCE UNLESS SPECIFIED				DRWG NO.:		
8					WITHIN				A	2012-10-26	初版
7	STEEL BALL	STEEL	1	NATURAL	OVER				ISSUE	DATE	DESCRIPTIONS OF REVISION
6	SPRING	STEEL WIRE	1	NATURAL	TITLE : VERTICAL SLIDE SWITCH				UNIT : mm		APPD.
5	CONTACT CLIP	PBS STRIP	2	Ag PLATED					SCALE: 3:1		
4	TERMINAL	BRASS STRIP	8	Ag PLATED	MODEL:				DWN.		2012-10-26
3	BASE	PHENOLIC RESIN	1	NATURAL					广东科斯达开关厂		CHK'D
2	FRAME	STEEL STRIP	1	Ni PLATED	广东科斯达开关厂		APPD.				2012-10-26
1	KNOB	POM	1	BLACK			广东科斯达开关厂				