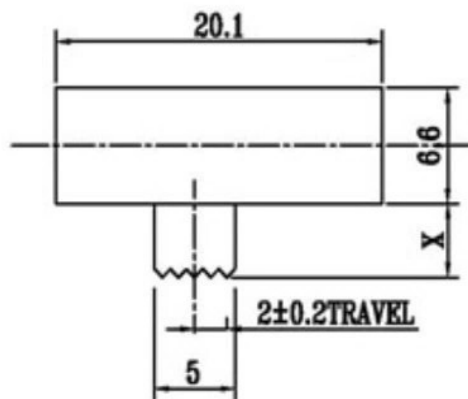
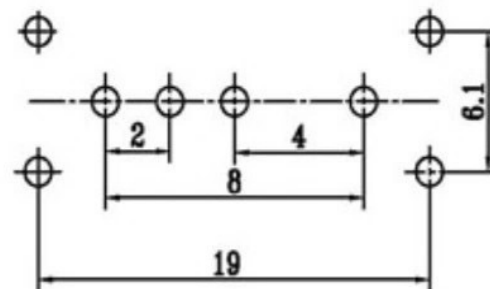




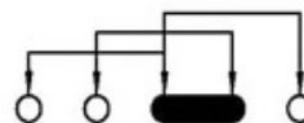
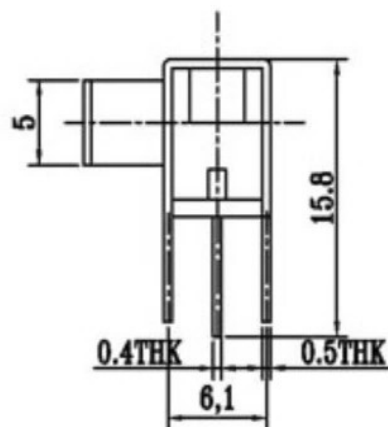
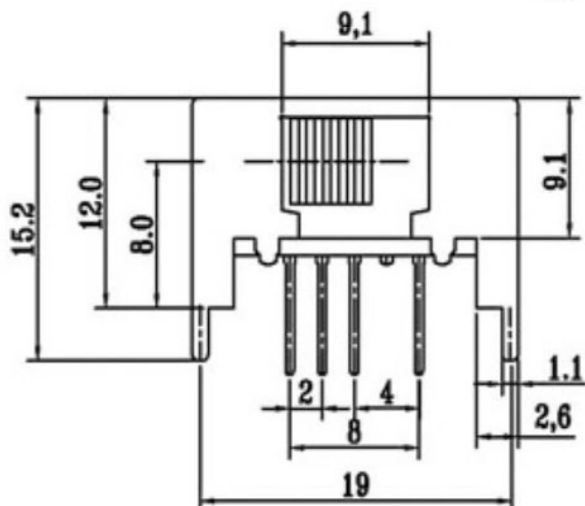
CAD FILE:



X=2-11
单位: mm



P. C. B LAYOUT



SCHEMATIC (SHORTING)

注: "*"表示关键尺寸(6个)

NO.	PARTS	MATERIALS	QTY	FINISH	TOLERANCE UNLESS SPECIFIED	ISSUE	DATE	DESCRIPTIONS OF REVISION	APPD
8									
7	STEEL BALL	STEEL	1	NATURAL					
6	SPRING	STEEL WIRE	1	NATURAL					
5	CONTACT CLIP	PBS STRIP	2	Ag PLATED		A	2012-12-25	初板	
4	TERMINAL	BRASS STRIP	10	Ag PLATED					
3	BASE	PHENOLIC RESIN	1	BLACK					
2	FRAME	STEEL STRIP	1	Ni PLATED					
1	KNOB	POM	1	BLACK					
					TITLE: HORIZONTAL SLIDE SWITCH	UNIT : mm		DRWG NO.:	
					MODEL:	SCALE: 2:1		DWN	2012-12-25
					广东科斯达开关厂			CHK'D	
								APPD	