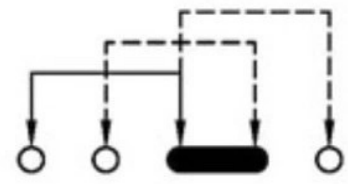
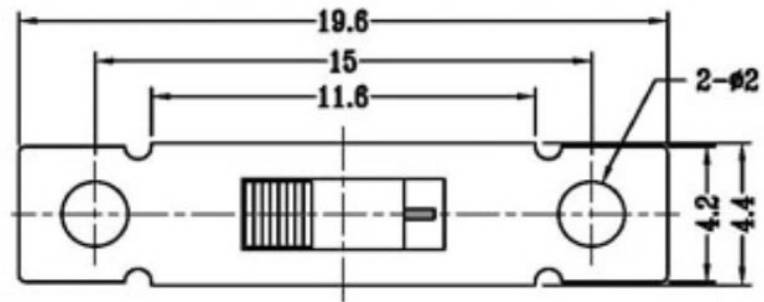
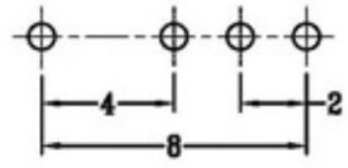


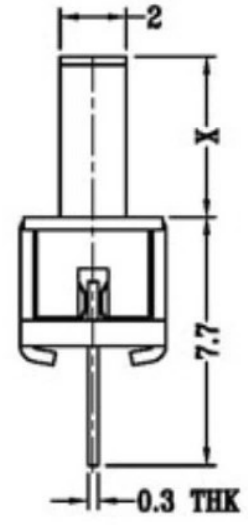
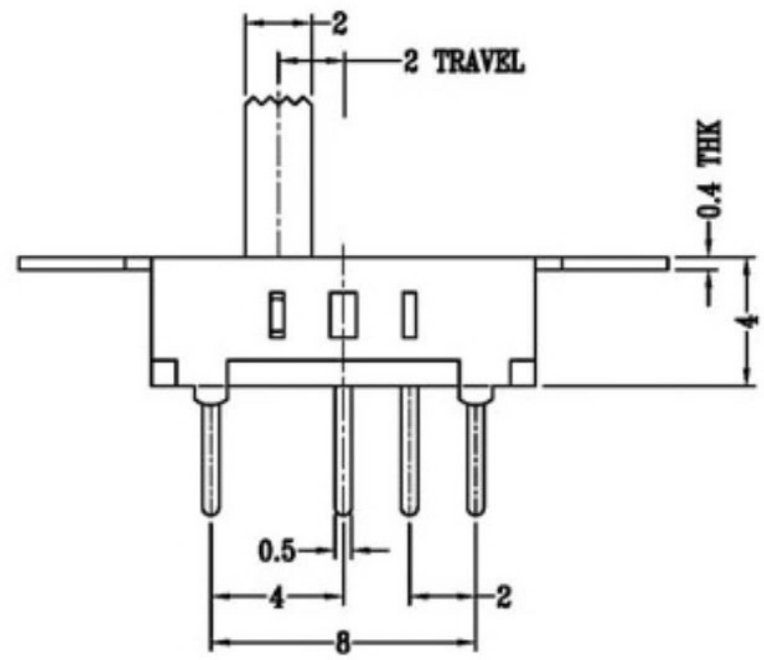
CAD FILE:



SCHEMATIC (SHORTING)



P.C.B LAYOUT
BOTTOM VIEW



X=2-10
单位: mm

注: "*"表示关键尺寸(6个)

| | | | | |
|-----|--------------|----------------|------|-----------|
| 8 | | | | |
| 7 | STEEL BALL | STEEL | 1 | NATURAL |
| 6 | SPRING | STEEL WIRE | 1 | NATURAL |
| 5 | CONTACT CLIP | PBS STRIP | 2 | Ag PLATED |
| 4 | TERMINAL | BRASS STRIP | 8 | Ag PLATED |
| 3 | BASE | PHENOLIC RESIN | 1 | NATURAL |
| 2 | FRAME | STEEL STRIP | 1 | Ni PLATED |
| 1 | KNOB | POM | 1 | BLACK |
| NO. | PARTS | MATERIALS | Q'TY | FINISH |

| | | | | |
|-------------------------------|-------|------------|--------------------------|------------|
| TOLERANCE UNLESS SPECIFIED | | | | |
| WITHIN | A | 2012-10-26 | 初版 | |
| OVER | ISSUE | DATE | DESCRIPTIONS OF REVISION | APPD. |
| TITLE : VERTICAL SLIDE SWITCH | | UNIT : mm | DRWG NO.: | |
| MODEL: | | SCALE: 3:1 | DWN. | 2012-10-26 |
| 广东科斯达开关厂 | | CHK'D | | 2012-10-26 |
| | | APPD. | | |