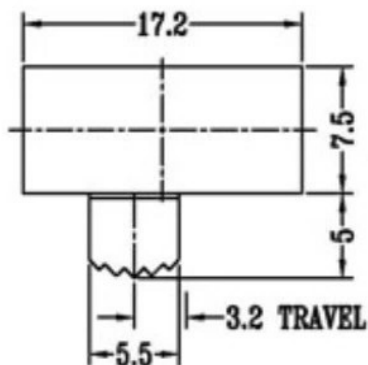
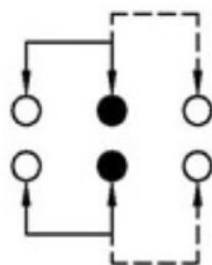




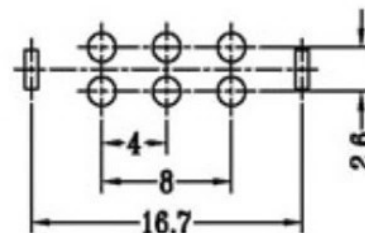
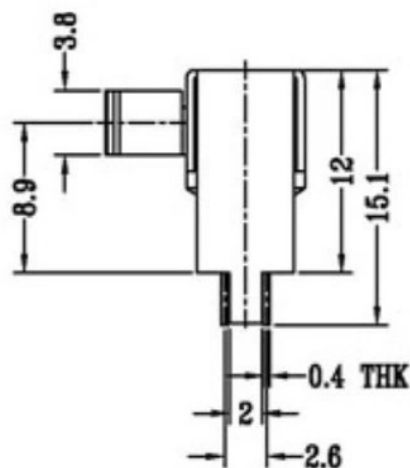
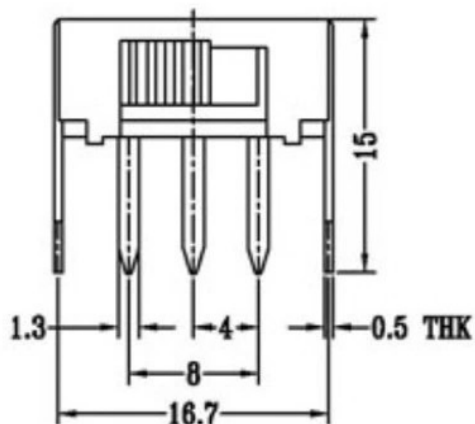
CAD FILE:



X=2-12  
单位: mm



SCHEMATIC (NON-SHORTING)

P.C.B LAYOUT  
BOTTOM VIEW

注: "\*"表示关键尺寸(6个)

NO.	PARTS	MATERIALS	QTY	FINISH	TOLERANCE UNLESS SPECIFIED		ISSUE DATE		DESCRIPTIONS OF REVISION		APPD		
8							A	2012-12-25	初板				
7	STEEL BALL	STEEL	1	NATURAL	WITHIN								
6	SPRING	STEEL WIRE	1	NATURAL	OVER								
5	CONTACT CLIP	PBS STRIP	2	Ag PLATED	TITLE: HORIZONTAL SLIDE SWITCH				UNIT : mm		DRWG NO.:		
4	TERMINAL	BRASS STRIP	10	Ag PLATED	MODEL:				SCALE: 2:1		DWN		
3	BASE	PHENOLIC RESIN	1	BLACK	<h1>广东科斯达开关厂</h1>						2012-12-25		
2	FRAME	STEEL STRIP	1	Ni PLATED							CHK'D		
1	KNOB	POM	1	BLACK							APPD		2012-12-25