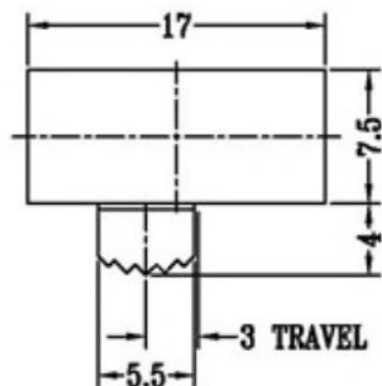
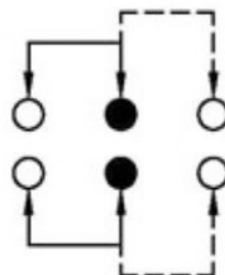


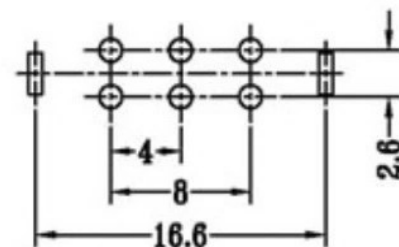
CAD FILE:



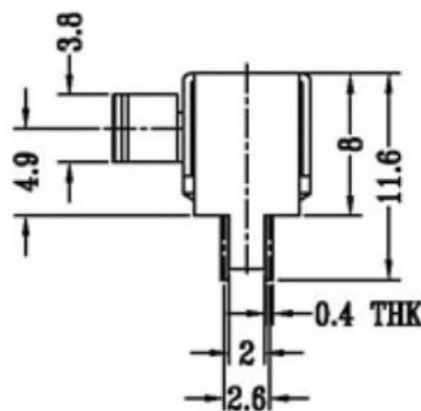
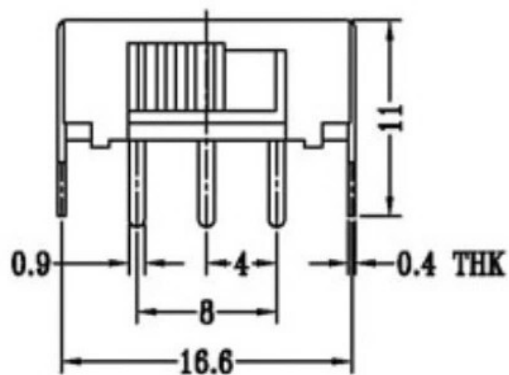
X=2-12  
单位: mm



SCHEMATIC (NON-SHORTING)



P.C.B LAYOUT  
BOTTOM VIEW



注: "\*"表示关键尺寸(6个)

NO.	PARTS	MATERIALS	QTY	FINISH	TOLERANCE		ISSUE		DATE		DESCRIPTIONS OF REVISION		APPD
8					UNLESS SPECIFIED		A	2012-12-25	初板				
7	STEEL BALL	STEEL	1	NATURAL	WITHIN								
6	SPRING	STEEL WIRE	1	NATURAL	OVER								
5	CONTACT CLIP	PBS STRIP	2	Ag PLATED									
4	TERMINAL	BRASS STRIP	10	Ag PLATED	TITLE: HORIZONTAL SLIDE SWITCH		UNIT : mm		DRWG NO.:				
3	BASE	PHENOLIC RESIN	1	BLACK	MODEL:		SCALE: 2:1		DWN		2012-12-25		
2	FRAME	STEEL STRIP	1	Ni PLATED	<b>广东科斯达开关厂</b>				CHK'D				
1	KNOB	POM	1	BLACK					APPD		2012-12-25		