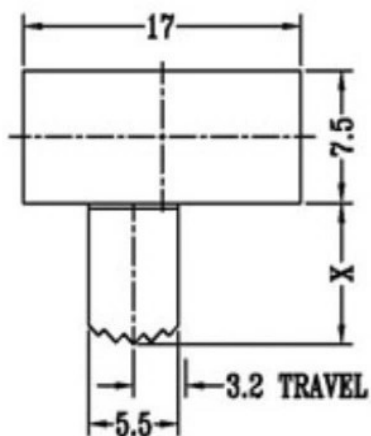
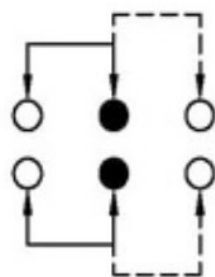


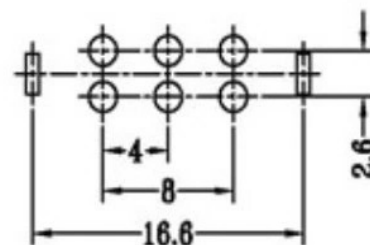
CAD FILE:



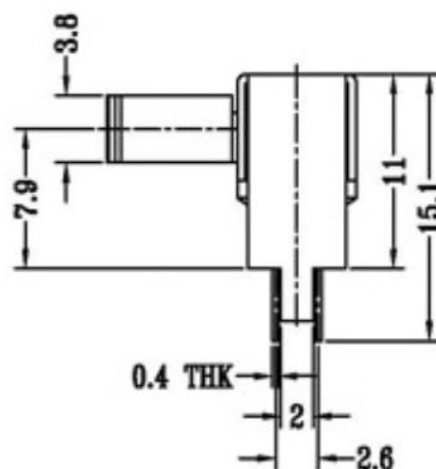
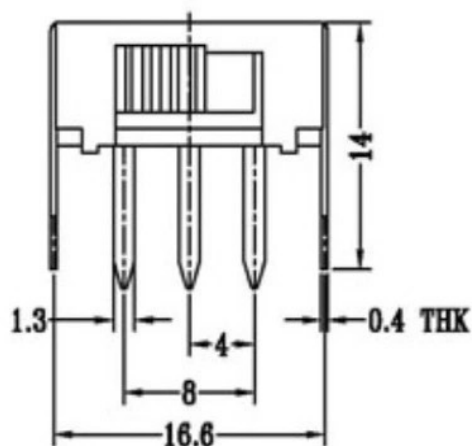
X=2-12
单位: mm



SCHEMATIC (NON-SHORTING)



P.C.B LAYOUT
BOTTOM VIEW



注: "*"表示关键尺寸(6个)

NO.	PARTS	MATERIALS	QTY	FINISH	TOLERANCE UNLESS SPECIFIED		A 2012-12-25		初板		
					WITHIN	ISSUE	DATE	DESCRIPTIONS OF REVISION			APPD
8					OVER						
7	STEEL BALL	STEEL	1	NATURAL	TITLE: HORIZONTAL SLIDE SWITCH		UNIT : mm	DRWG NO.:			
6	SPRING	STEEL WIRE	1	NATURAL	MODEL:		SCALE: 2:1	DWN		2012-12-25	
5	CONTACT CLIP	PBS STRIP	2	Ag PLATED	广东科斯达开关厂			CHK'D			
4	TERMINAL	BRASS STRIP	10	Ag PLATED				APPD		2012-12-25	
3	BASE	PHENOLIC RESIN	1	BLACK							
2	FRAME	STEEL STRIP	1	Ni PLATED							
1	KNOB	POM	1	BLACK							
NO.	PARTS	MATERIALS	QTY	FINISH							