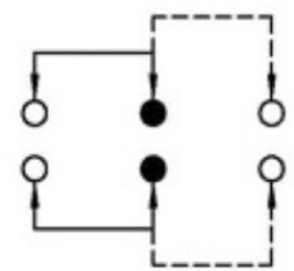
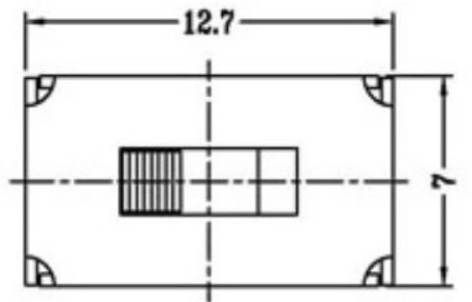


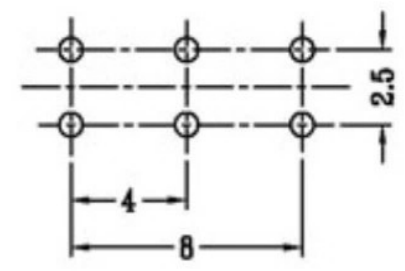
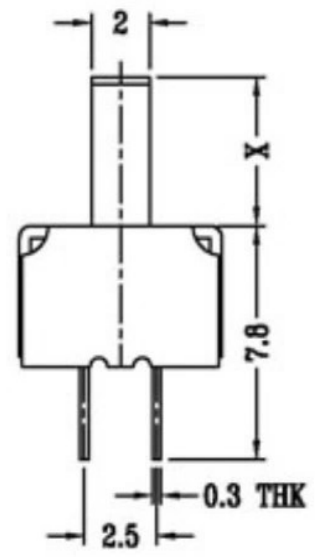
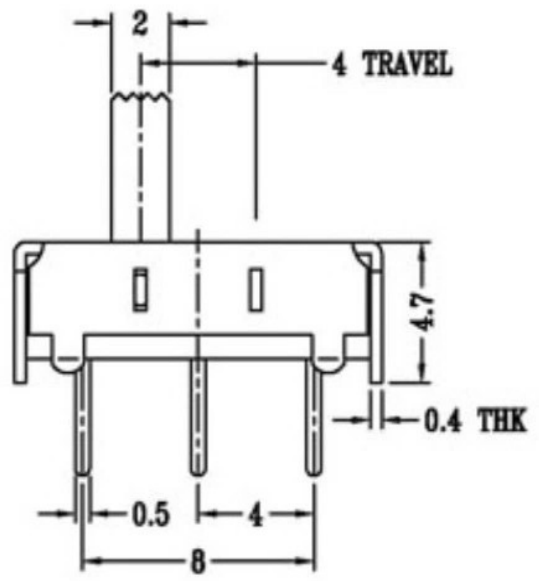


CAD FILE:



SCHEMATIC (NON-SHORTING)

X=2-10
单位: mm



P.C.B LAYOUT
BOTTOM VIEW

注: "*"表示关键尺寸(6个)

NO.	PARTS	MATERIALS	Q'TY	FINISH	TOLERANCE UNLESS SPECIFIED				DRWG NO.:	
8					UNLESS SPECIFIED				DRWG NO.:	
7	STEEL BALL	STEEL	1	NATURAL	UNLESS SPECIFIED				DRWG NO.:	
6	SPRING	STEEL WIRE	1	NATURAL	UNLESS SPECIFIED				DRWG NO.:	
5	CONTACT CLIP	PBS STRIP	2	Ag PLATED	UNLESS SPECIFIED				DRWG NO.:	
4	TERMINAL	BRASS STRIP	8	Ag PLATED	UNLESS SPECIFIED				DRWG NO.:	
3	BASE	PHENOLIC RESIN	1	NATURAL	UNLESS SPECIFIED				DRWG NO.:	
2	FRAME	STEEL STRIP	1	Ni PLATED	UNLESS SPECIFIED				DRWG NO.:	
1	KNOB	POM	1	BLACK	UNLESS SPECIFIED				DRWG NO.:	
					TITLE : VERTICAL SLIDE SWITCH		UNIT : mm		DRWG NO.:	
					MODEL:		SCALE: 3:1		DRWG NO.:	
					广东科斯达开关厂		DWN.		2012-10-26	
							CHK'D		2012-10-26	
							APPD.			