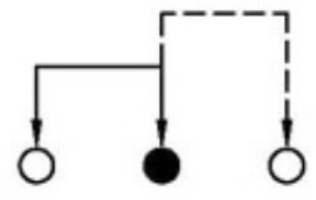
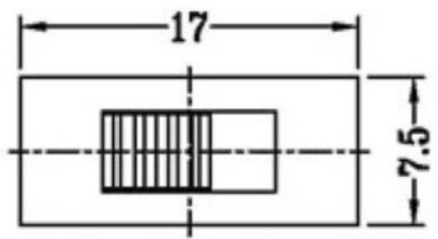
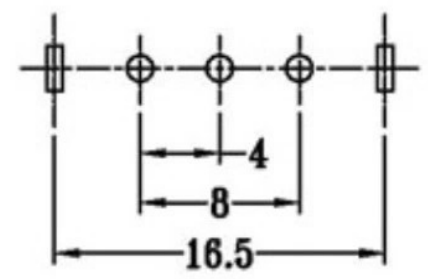


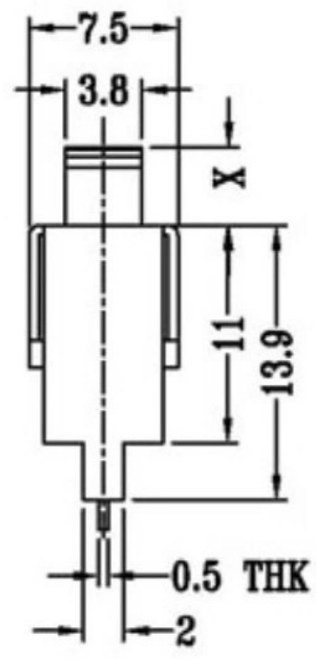
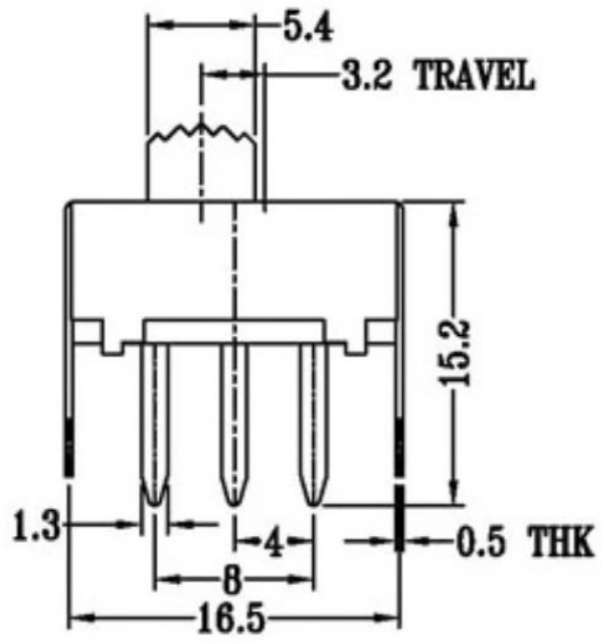
CAD FILE:



SCHEMATIC (NON-SHORTING)



P.C.B LAYOUT
BOTTOM VIEW



X=2-13
单位: mm

注: "*"表示关键尺寸(6个)

NO.	PARTS	MATERIALS	Q'TY	FINISH	TOLERANCE	DATE	DESCRIPTIONS OF REVISION	APPD.
8					UNLESS SPECIFIED			
7	STEEL BALL	STEEL	1	NATURAL				
6	SPRING	STEEL WIRE	1	NATURAL				
5	CONTACT CLIP	PBS STRIP	2	Ag PLATED				
4	TERMINAL	BRASS STRIP	8	Ag PLATED				
3	BASE	PHENOLIC RESIN	1	NATURAL				
2	FRAME	STEEL STRIP	1	Ni PLATED				
1	KNOB	POM	1	BLACK				
					TITLE : VERTICAL SLIDE SWITCH		UNIT : mm	DRWG NO.:
					MODEL:		SCALE: 3:1	DWN.
								2012-10-26
								2012-10-26

广东科斯达开关厂