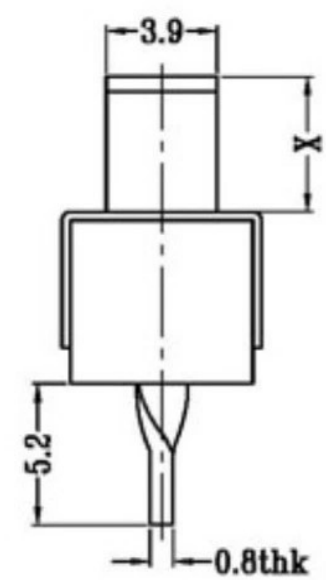
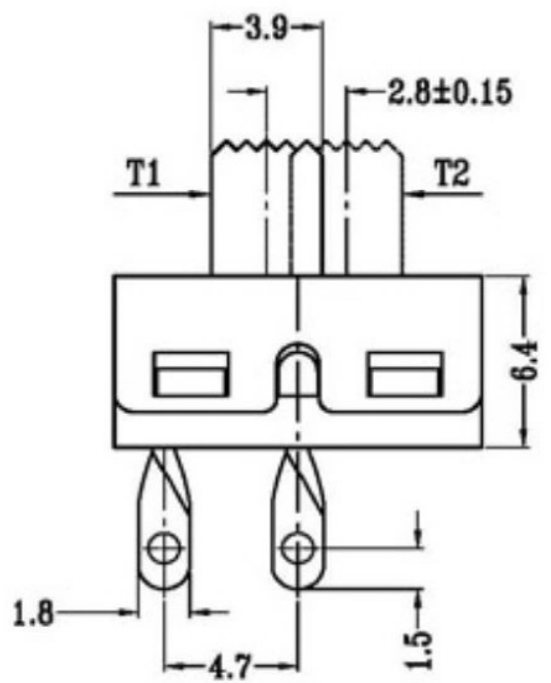
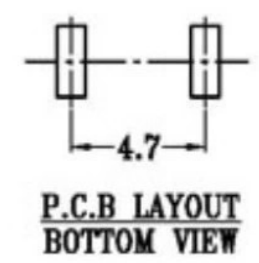
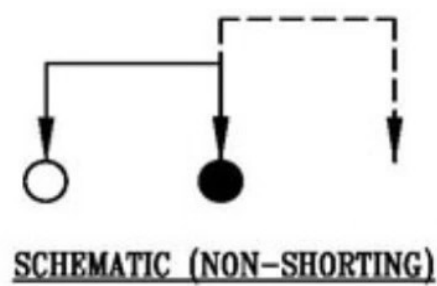
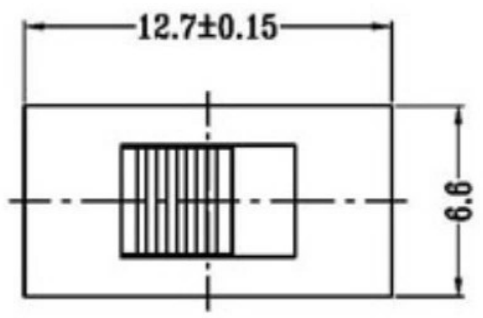




CAD FILE:



X=3-10  
单位: mm

注: "\*"表示关键尺寸(6个)

NO.	PARTS	MATERIALS	Q'TY	FINISH	TOLERANCE UNLESS SPECIFIED			DESCRIPTIONS OF REVISION		APPD.			
8					WITHIN	A	2012-10-26	初版					
7	STEEL BALL	STEEL	1	NATURAL	OVER	ISSUE	DATE						
6	SPRING	STEEL WIRE	1	NATURAL	TITLE : VERTICAL SLIDE SWITCH					UNIT : mm	DRWG NO.:		
5	CONTACT CLIP	PBS STRIP	2	Ag PLATED	MODEL:					SCALE: 3:1			
4	TERMINAL	BRASS STRIP	8	Ag PLATED	<b>广东科斯达开关厂</b>					DWN.	2012-10-26		
3	BASE	PHENOLIC RESIN	1	NATURAL						CHK'D			
2	FRAME	STEEL STRIP	1	Ni PLATED						APPD.			
1	KNOB	POM	1	BLACK									