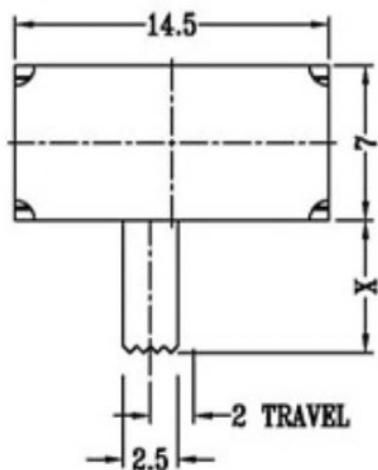
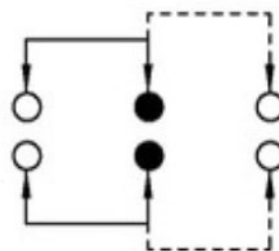




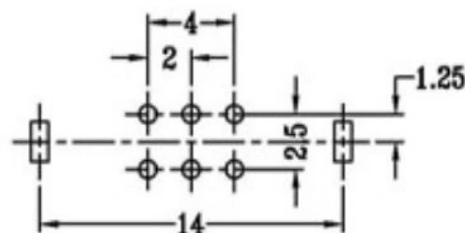
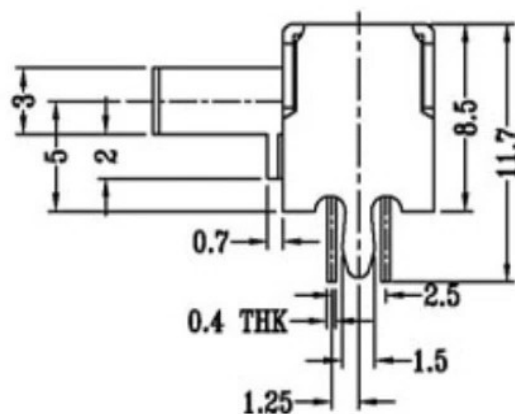
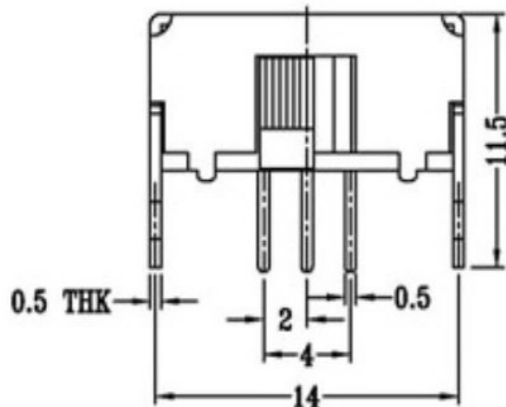
CAD FILE:



X=2-9  
单位: mm



SCHEMATIC (NON-SHORTING)

P.C.B LAYOUT  
BOTTOM VIEW

注: "\*"表示关键尺寸(6个)

| NO. | PARTS        | MATERIALS      | QTY | FINISH    | TOLERANCE<br>UNLESS SPECIFIED  | ISSUE | DATE       | DESCRIPTIONS OF REVISION | APPD       |
|-----|--------------|----------------|-----|-----------|--------------------------------|-------|------------|--------------------------|------------|
| 8   |              |                |     |           |                                |       |            |                          |            |
| 7   | STEEL BALL   | STEEL          | 1   | NATURAL   |                                |       |            |                          |            |
| 6   | SPRING       | STEEL WIRE     | 1   | NATURAL   |                                |       |            |                          |            |
| 5   | CONTACT CLIP | PBS STRIP      | 2   | Ag PLATED |                                |       |            |                          |            |
| 4   | TERMINAL     | BRASS STRIP    | 10  | Ag PLATED |                                |       |            |                          |            |
| 3   | BASE         | PHENOLIC RESIN | 1   | BLACK     |                                |       |            |                          |            |
| 2   | FRAME        | STEEL STRIP    | 1   | Ni PLATED |                                |       |            |                          |            |
| 1   | KNOB         | POM            | 1   | BLACK     |                                |       |            |                          |            |
|     |              |                |     |           | TITLE: HORIZONTAL SLIDE SWITCH |       | UNIT : mm  | DRWG NO.:                |            |
|     |              |                |     |           | MODEL:                         |       | SCALE: 2:1 | DWN                      | 2012-12-25 |
|     |              |                |     |           |                                |       |            | CHK'D                    |            |
|     |              |                |     |           |                                |       |            | APPD                     | 2012-12-25 |

广东科斯达开关厂