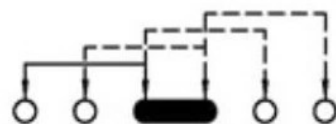
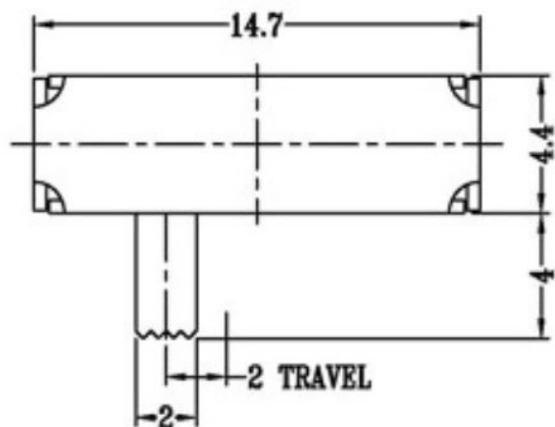


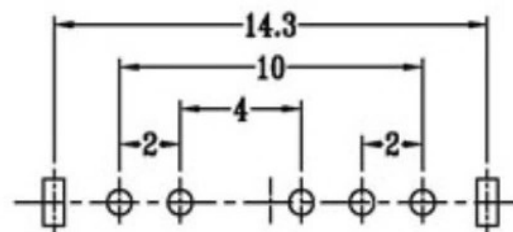
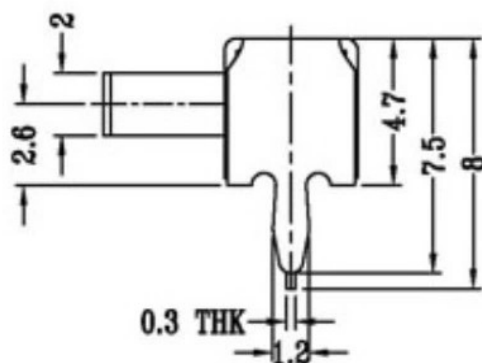
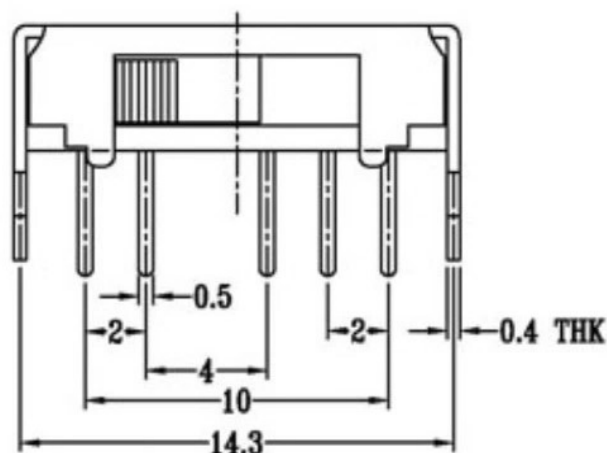


CAD FILE:



SCHEMATIC (SHORTING)

X=2-8
单位: mm

P.C.B LAYOUT
BOTTOM VIEW

注: "*"表示关键尺寸(6个)

NO.	PARTS	MATERIALS	QTY	FINISH	TOLERANCE UNLESS SPECIFIED	ISSUE	DATE	DESCRIPTIONS OF REVISION	APPD
8									
7	STEEL BALL	STEEL	1	NATURAL					
6	SPRING	STEEL WIRE	1	NATURAL					
5	CONTACT CLIP	PBS STRIP	2	Ag PLATED		A	2012-12-25	初板	
4	TERMINAL	BRASS STRIP	10	Ag PLATED	WITHIN				
3	BASE	PHENOLIC RESIN	1	BLACK	OVER				
2	FRAME	STEEL STRIP	1	Ni PLATED					
1	KNOB	POM	1	BLACK					
					TITLE: HORIZONTAL SLIDE SWITCH		UNIT : mm		DRWG NO.:
					MODEL:		SCALE: 2:1		DWN
					广东科斯达开关厂				2012-12-25
									CHK'D
									2012-12-25
									APPD