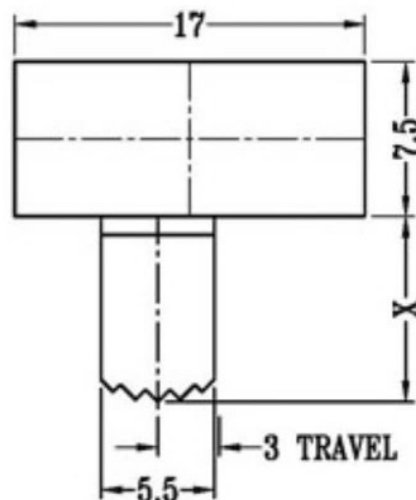
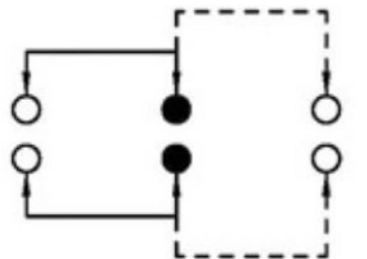




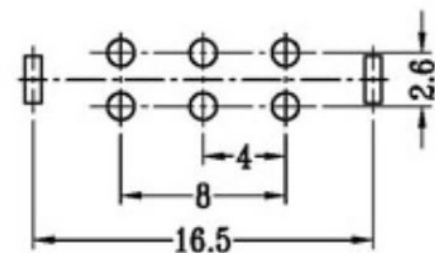
CAD FILE:



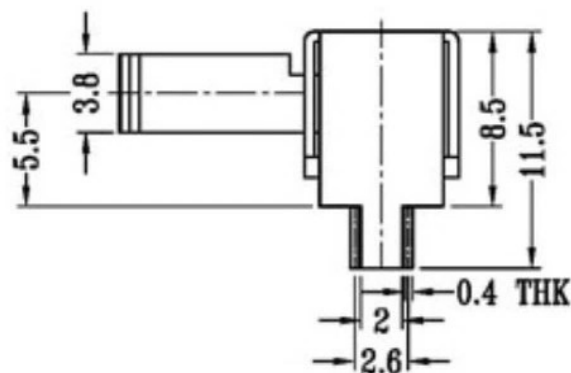
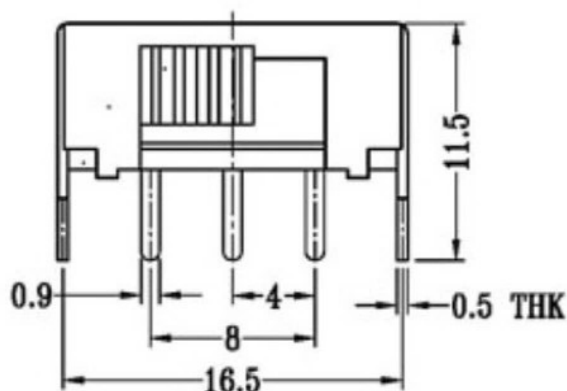
X=2-12
单位:mm



SCHEMATIC (NON-SHORTING)



P.C.B LAYOUT
BOTTOM VIEW



注: "*"表示关键尺寸(6个)

NO.	PARTS	MATERIALS	QTY	FINISH	TOLERANCE UNLESS SPECIFIED		A		2012-12-25		初板		APPD
					WITHIN	ISSUE	DATE	DESCRIPTIONS OF REVISION				APPD	
					OVER			DRWG NO.:					
					TITLE: HORIZONTAL SLIDE SWITCH			UNIT : mm	SCALE: 2:1				
					MODEL:			DWN				2012-12-25	
								CHK'D					
								APPD				2012-12-25	
8													
7	STEEL BALL	STEEL	1	NATURAL									
6	SPRING	STEEL WIRE	1	NATURAL									
5	CONTACT CLIP	PBS STRIP	2	Ag PLATED									
4	TERMINAL	BRASS STRIP	10	Ag PLATED									
3	BASE	PHENOLIC RESIN	1	BLACK									
2	FRAME	STEEL STRIP	1	Ni PLATED									
1	KNOB	POM	1	BLACK									

广东科斯达开关厂