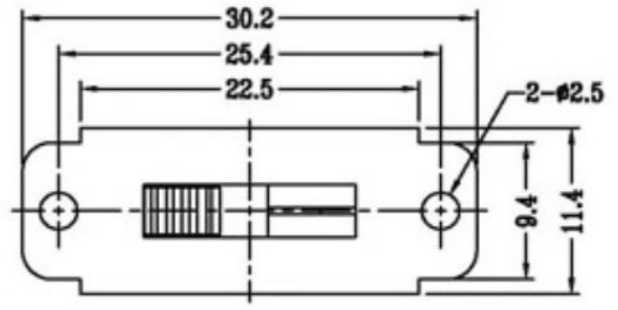
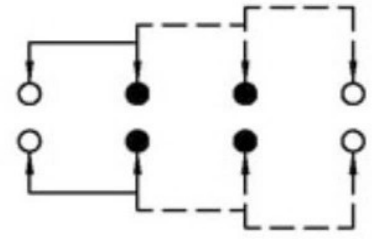


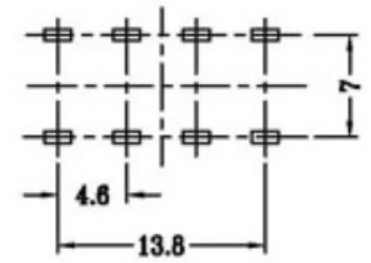
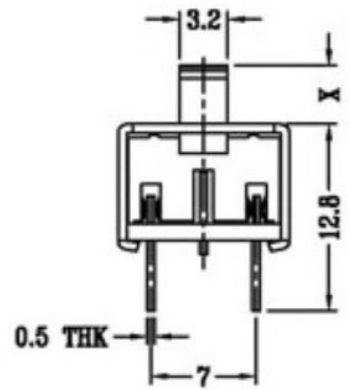
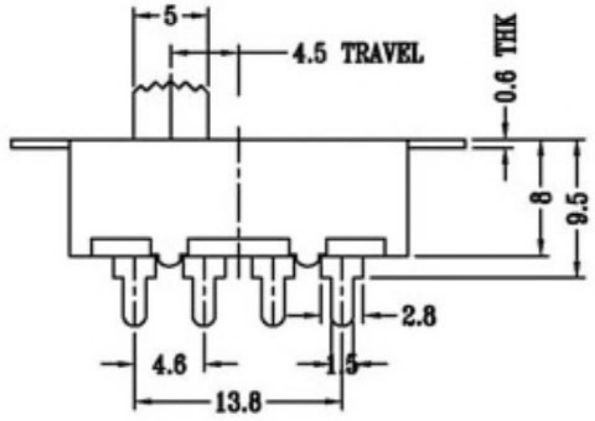
CAD FILE:



X=3-12
单位: mm



SCHEMATIC (SHORTING)



**P.C.B LAYOUT
BOTTOM VIEW**

注: "*"表示关键尺寸(6个)

8					TOLERANCE								
7	STEEL BALL	STEEL	1	NATURAL	UNLESS SPECIFIED								
6	SPRING	STEEL WIRE	1	NATURAL	WITHIN		A	2012-10-26	初版				
5	CONTACT CLIP	PBS STRIP	2	Ag PLATED	OVER		ISSUE	DATE	DESCRIPTIONS OF REVISION				
4	TERMINAL	BRASS STRIP	8	Ag PLATED	TITLE : VERTICAL SLIDE SWITCH			UNIT : mm	DRWG NO.:				
3	BASE	PHENOLIC RESIN	1	NATURAL	MODEL:			SCALE: 3:1	DWN.		2012-10-26		
2	FRAME	STEEL STRIP	1	Ni PLATED	广东科斯达开关厂						CHK'D		2012-10-26
1	KNOB	POM	1	BLACK							APPD.		
NO.	PARTS	MATERIALS	Q'TY	FINISH									