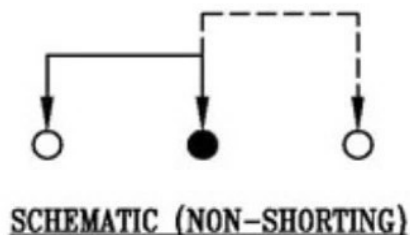
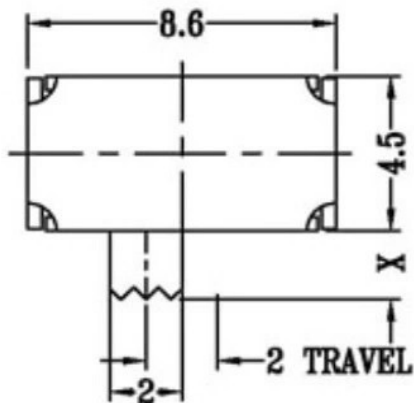
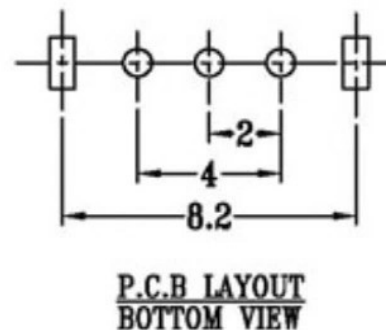
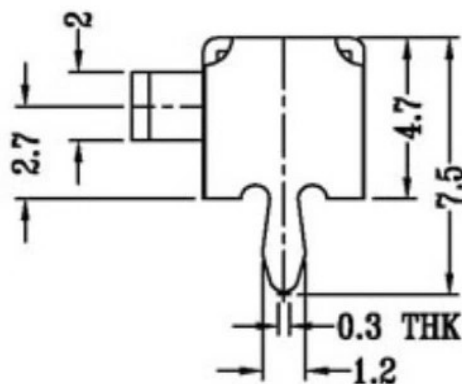
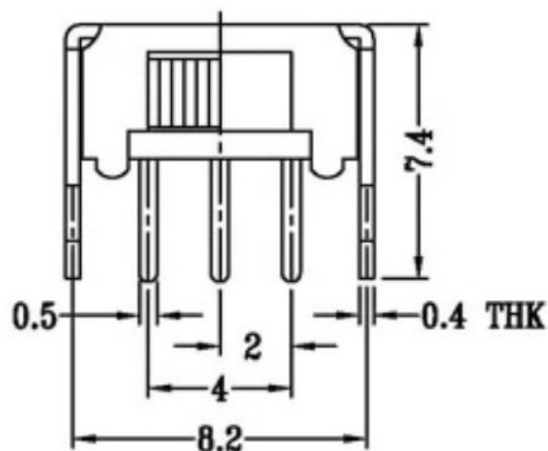




CAD FILE:



X=2-8
单位: mm



注: "*"表示关键尺寸(6个)

NO.	PARTS	MATERIALS	QTY	FINISH	TOLERANCE UNLESS SPECIFIED		ISSUE DATE		DESCRIPTIONS OF REVISION		APPD			
8														
7	STEEL BALL	STEEL	1	NATURAL			A	2012-12-25	初板					
6	SPRING	STEEL WIRE	1	NATURAL	WITHIN									
5	CONTACT CLIP	PBS STRIP	2	Ag PLATED	OVER									
4	TERMINAL	BRASS STRIP	10	Ag PLATED	TITLE: HORIZONTAL SLIDE SWITCH		UNIT : mm		DRWG NO.:					
3	BASE	PHENOLIC RESIN	1	BLACK	MODEL:		SCALE: 2:1		DWN		2012-12-25			
2	FRAME	STEEL STRIP	1	Ni PLATED	广东科斯达开关厂							CHK'D		
1	KNOB	POM	1	BLACK								APPD		