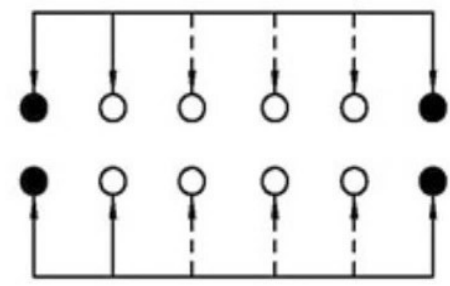
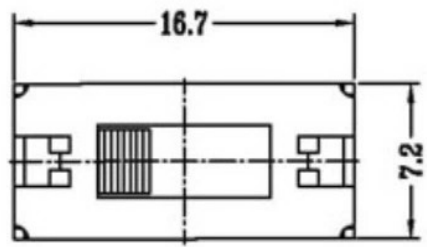
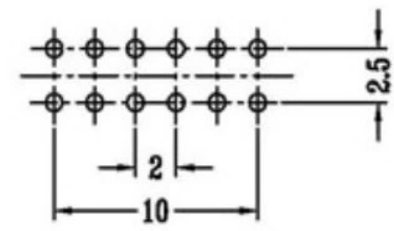
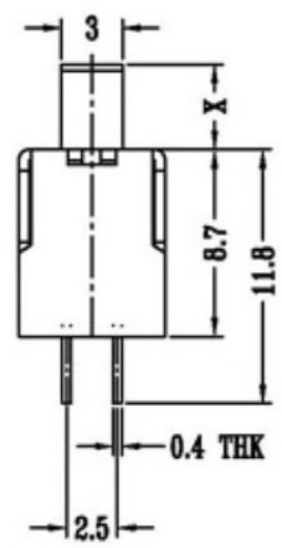
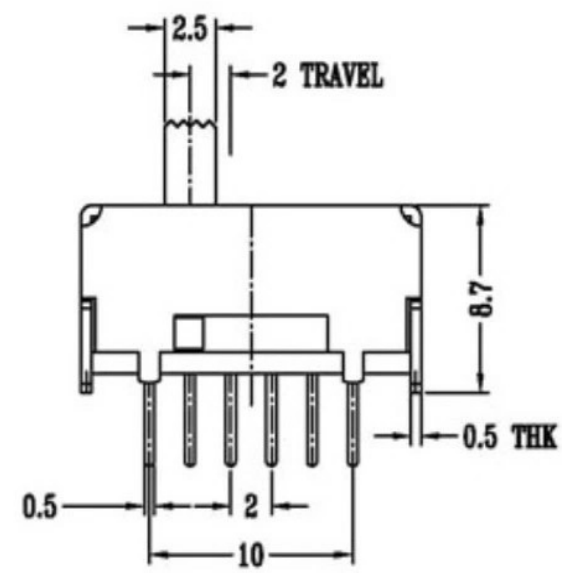


CAD FILE:



**SCHMATIC (NON-SHORTING)**

X=3-12  
单位: mm



**P.C.B. LAYOUT  
BOTTOM VIEW**

注: "\*"表示关键尺寸(6个)

NO.	PARTS	MATERIALS	Q'TY	FINISH	TOLERANCE UNLESS SPECIFIED	ISSUE	DATE	DESCRIPTIONS OF REVISION	APPD.	
8										
7	STEEL BALL	STEEL	1	NATURAL						
6	SPRING	STEEL WIRE	1	NATURAL						
5	CONTACT CLIP	PBS STRIP	2	Ag PLATED						
4	TERMINAL	BRASS STRIP	8	Ag PLATED						
3	BASE	PHENOLIC RESIN	1	NATURAL						
2	FRAME	STEEL STRIP	1	Ni PLATED						
1	KNOB	POM	1	BLACK						
					TITLE : VERTICAL SLIDE SWITCH		UNIT : mm		DRWG NO.:	
					MODEL:		SCALE: 3:1		DWN. 2012-10-26	
					<b>广东科斯达开关厂</b>				CHK'D	
									APPD. 2012-10-26	