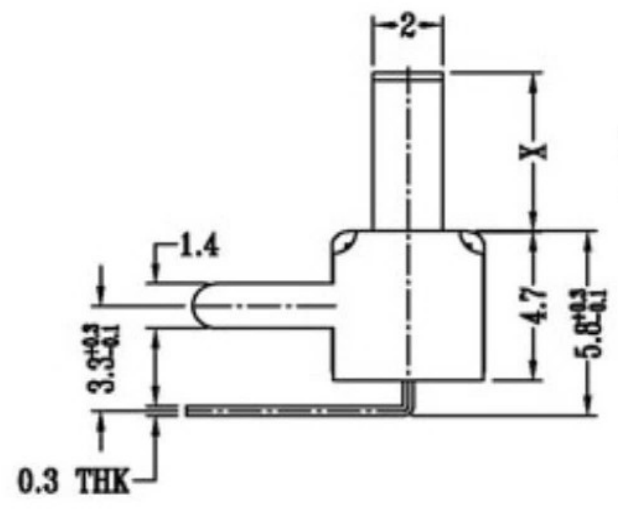
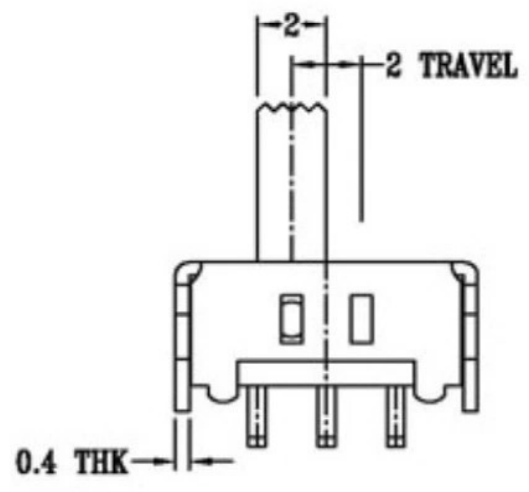
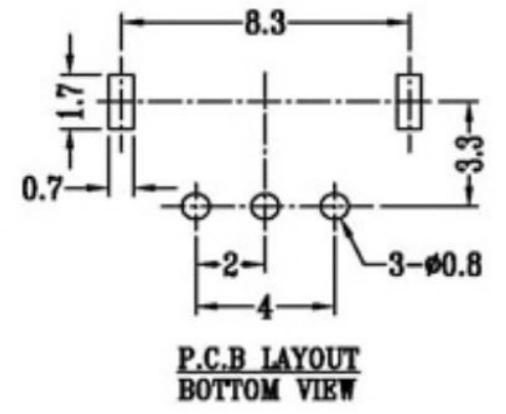
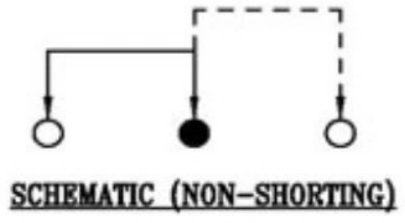
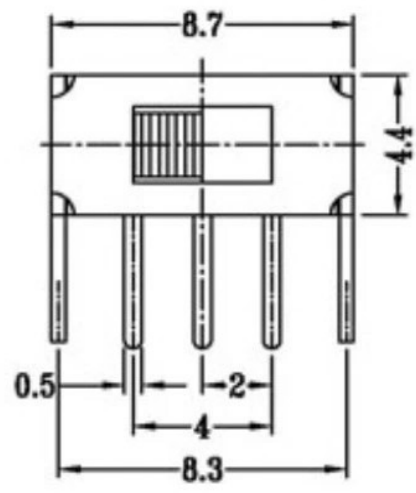




CAD FILE:



注: "*"表示关键尺寸(6个)

NO.	PARTS	MATERIALS	Q'TY	FINISH	TOLERANCE UNLESS SPECIFIED					
8										
7	STEEL BALL	STEEL	1	NATURAL						
6	SPRING	STEEL WIRE	1	NATURAL						
5	CONTACT CLIP	PBS STRIP	2	Ag PLATED	WITHIN	A	2012-10-26	初版		
4	TERMINAL	BRASS STRIP	8	Ag PLATED	OVER	ISSUE	DATE	DESCRIPTIONS OF REVISION		
3	BASE	PHENOLIC RESIN	1	NATURAL	TITLE : VERTICAL SLIDE SWITCH			UNIT : mm		
2	FRAME	STEEL STRIP	1	Ni PLATED	MODEL:			SCALE: 3:1		
1	KNOB	POM	1	BLACK	广东科斯达开关厂			DRWG NO.:		
								DWN.		2012-10-26
								CHK'D		2012-10-26
						APPD.				