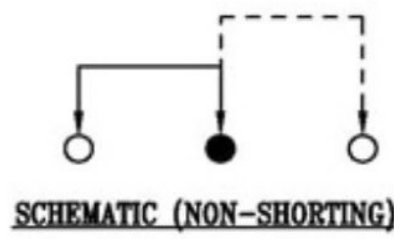
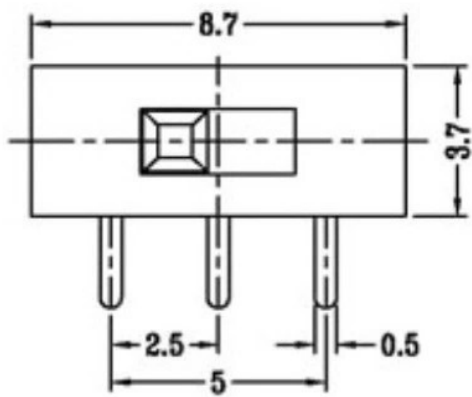
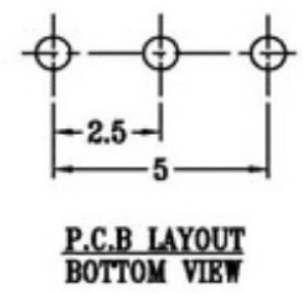
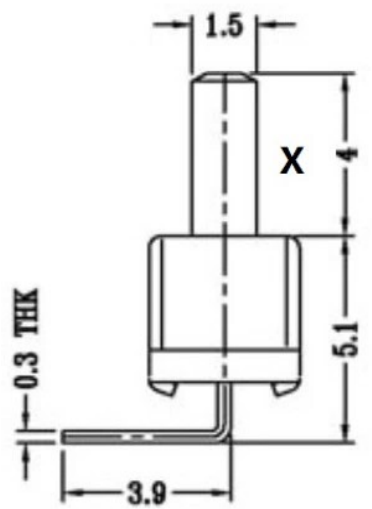
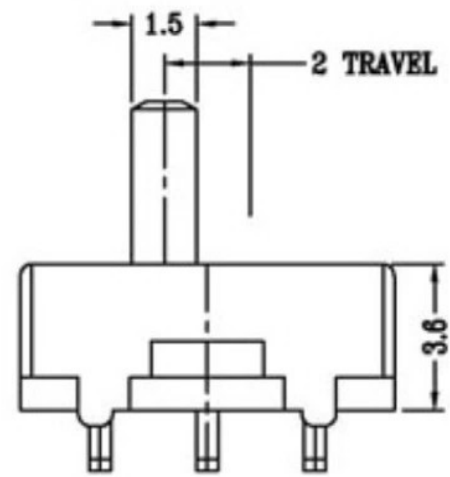




CAD FILE:



X=2.3.4.5.6.7.8
单位: mm



注: "*"表示关键尺寸(6个)

NO.	PARTS	MATERIALS	Q'TY	FINISH	TOLERANCE		UNLESS SPECIFIED		DESCRIPTIONS OF REVISION		APPD.
8											
7	STEEL BALL	STEEL	1	NATURAL							
6	SPRING	STEEL WIRE	1	NATURAL							
5	CONTACT CLIP	PBS STRIP	2	Ag PLATED	WITHIN	A	2012-10-26		初版		
4	TERMINAL	BRASS STRIP	8	Ag PLATED	OVER	ISSUE	DATE				
3	BASE	PHENOLIC RESIN	1	NATURAL	TITLE : VERTICAL SLIDE SWITCH			UNIT : mm	DRWG NO.:		
2	FRAME	STEEL STRIP	1	Ni PLATED	MODEL:			SCALE: 3:1	DWN.		2012-10-26
1	KNOB	POM	1	BLACK	广东科斯达开关厂				CHK'D		2012-10-26
									APPD.		