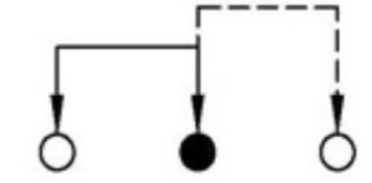
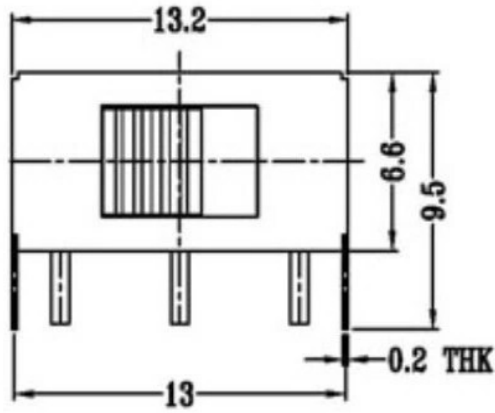
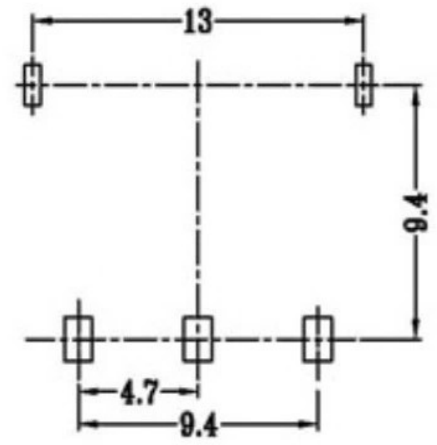




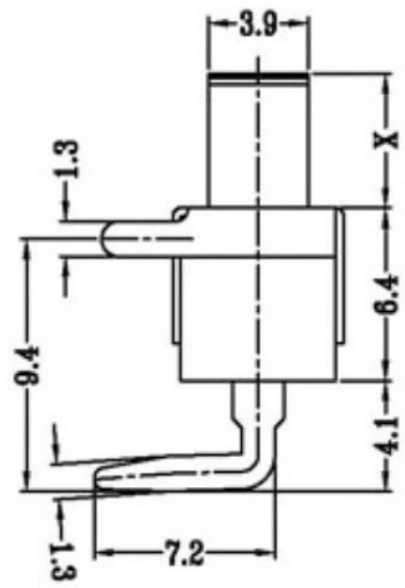
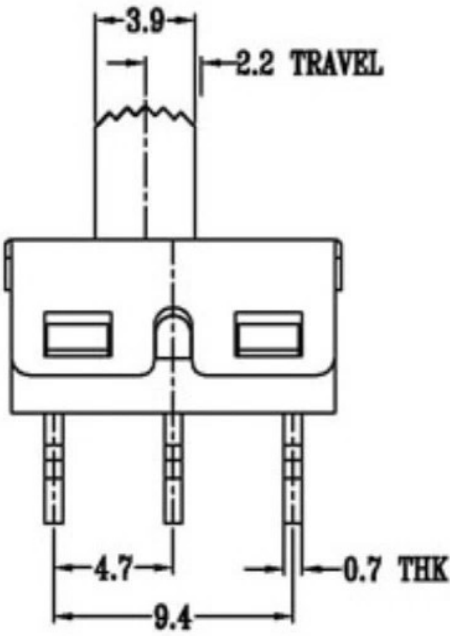
CAD FILE:



SCHEMATIC(NON-SHORTING)



P.C.B LAYOUT
BOTTOM VIEW



X=2-10
单位: mm

注: "*"表示关键尺寸(6个)

NO.	PARTS	MATERIALS	Q'TY	FINISH	TOLERANCE		ISSUE		DESCRIPTIONS OF REVISION		APPD.	
8					UNLESS SPECIFIED		A	2012-10-26	初版			
7	STEEL BALL	STEEL	1	NATURAL	WITHIN		ISSUE	DATE				
6	SPRING	STEEL WIRE	1	NATURAL	OVER							
5	CONTACT CLIP	PBS STRIP	2	Ag PLATED	TITLE : VERTICAL SLIDE SWITCH		UNIT : mm		DRWG NO.:			
4	TERMINAL	BRASS STRIP	8	Ag PLATED	MODEL:		SCALE: 3:1		DWN.		2012-10-26	
3	BASE	PHENOLIC RESIN	1	NATURAL	广东科斯达开关厂				CHK'D		2012-10-26	
2	FRAME	STEEL STRIP	1	Ni PLATED					APPD.			
1	KNOB	POM	1	BLACK								