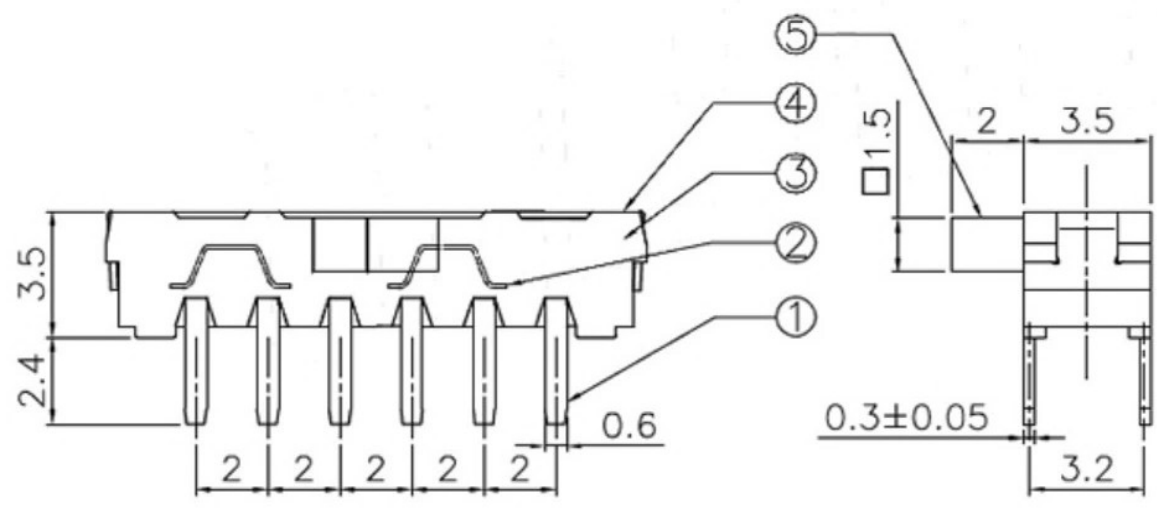
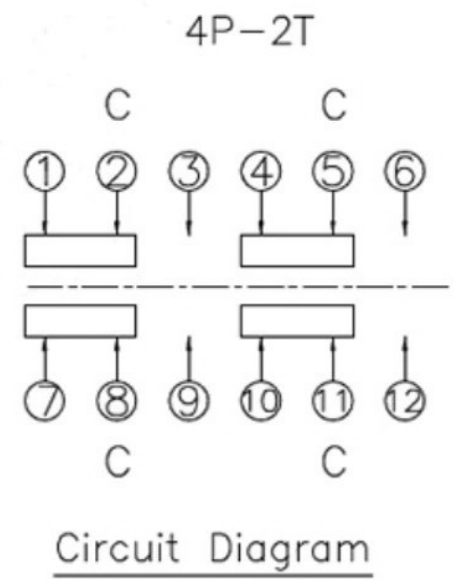
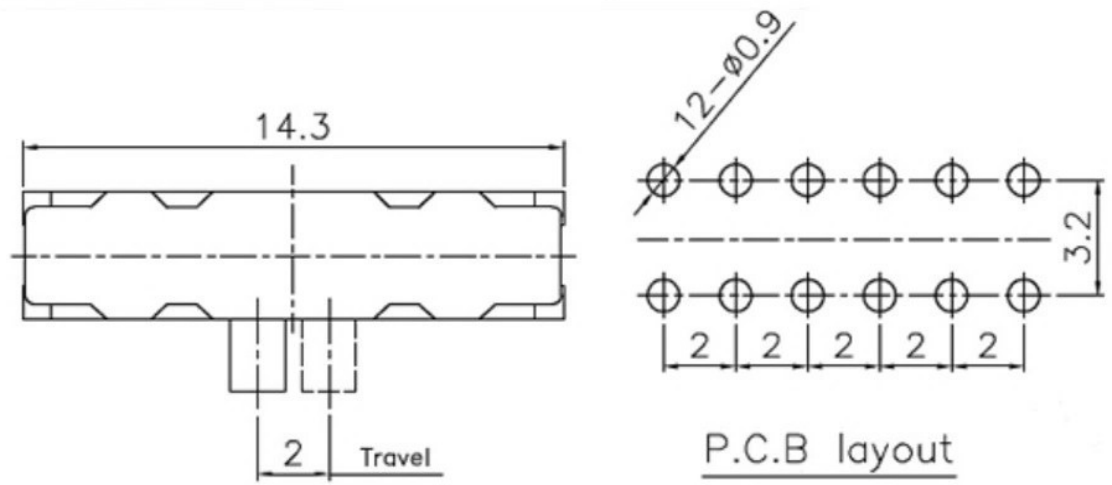


CAD FILE:



注: "\*"表示关键尺寸(6个)

NO.	PARTS	MATERIALS	Q'TY	FINISH
8				
7	STEEL BALL	STEEL	1	NATURAL
6	SPRING	STEEL WIRE	1	NATURAL
5	CONTACT CLIP	PBS STRIP	2	Ag PLATED
4	TERMINAL	BRASS STRIP	8	Ag PLATED
3	BASE	PHENOLIC RESIN	1	NATURAL
2	FRAME	STEEL STRIP	1	Ni PLATED
1	KNOB	POM	1	BLACK

TOLERANCE UNLESS SPECIFIED		A		2012-10-26		初版	
WITHIN	OVER	ISSUE	DATE	DESCRIPTIONS OF REVISION		APPD.	
TITLE : SLIDE SWITCH				UNIT : mm		DRWG NO.:	
MODEL:				SCALE: 3:1		DWN.	2012-10-26
<b>广东科斯达开关厂</b>				APPD.		2012-10-26	