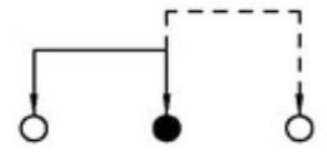
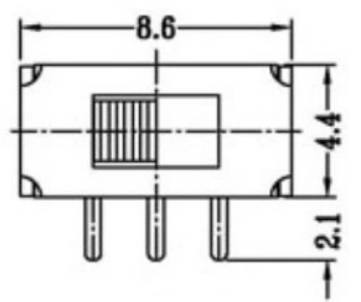
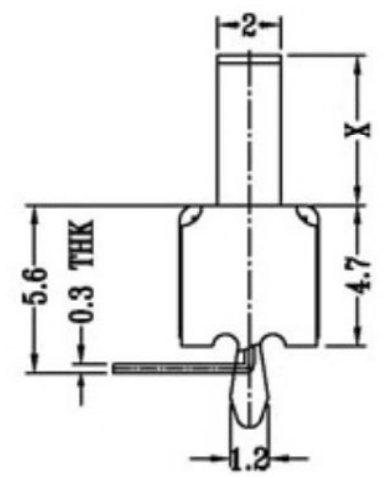
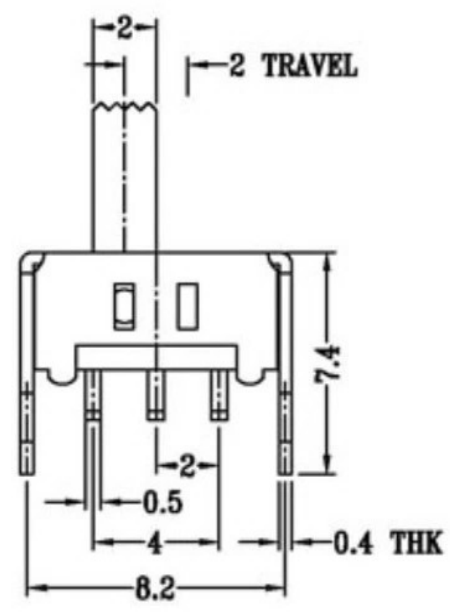




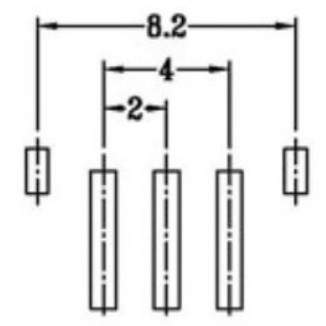
CAD FILE:



SCHEMATIC (NON-SHORTING)



X=2-8
单位: mm



P.C.B. LAYOUT
TOP VIEW

注: "*"表示关键尺寸(6个)

8					TOLERANCE					
7	STEEL BALL	STEEL	1	NATURAL	UNLESS SPECIFIED					
6	SPRING	STEEL WIRE	1	NATURAL	WITHIN	A	2012-10-26	初版		
5	CONTACT CLIP	PBS STRIP	2	Ag PLATED	OVER	ISSUE	DATE	DESCRIPTIONS OF REVISION	APPD.	
4	TERMINAL	BRASS STRIP	8	Ag PLATED	TITLE : VERTICAL SLIDE SWITCH			UNIT : mm	DRWG NO.:	
3	BASE	PHENOLIC RESIN	1	NATURAL	MODEL:			SCALE: 3:1	DWN.	
2	FRAME	STEEL STRIP	1	Ni PLATED	广东科斯达开关厂					2012-10-26
1	KNOB	POM	1	BLACK					CHK'D	
NO.	PARTS	MATERIALS	Q'TY	FINISH					APPD.	