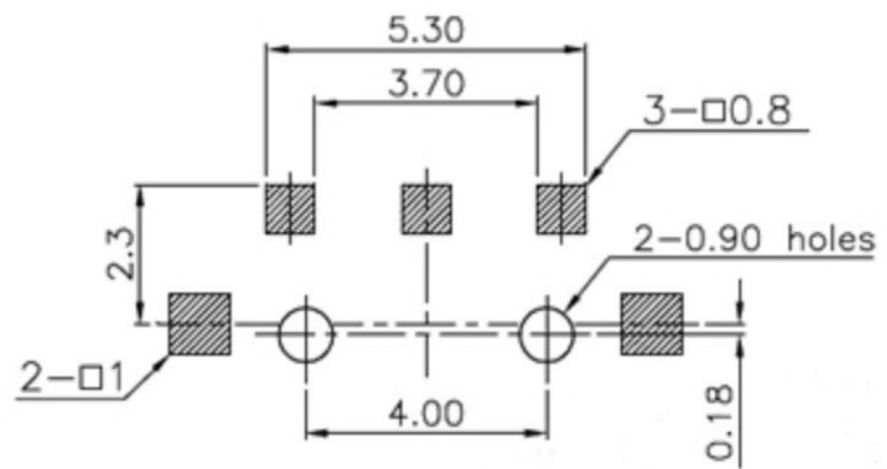
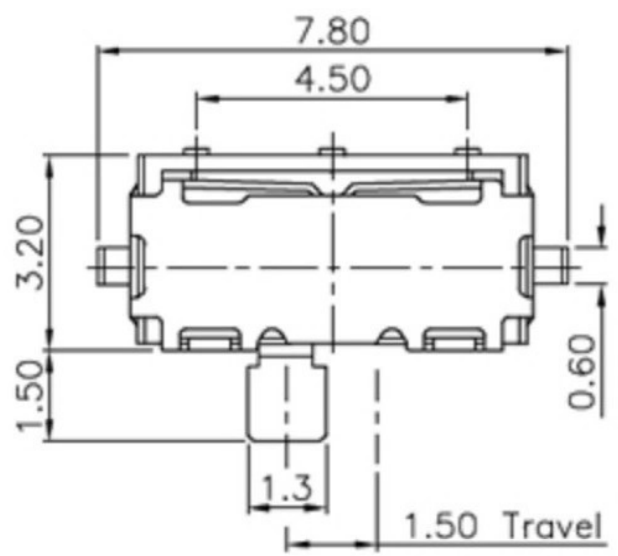
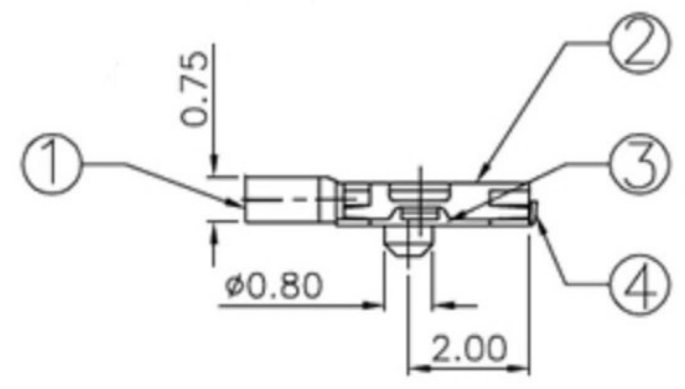
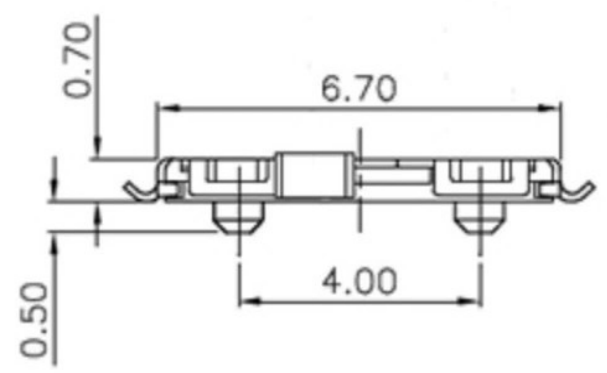
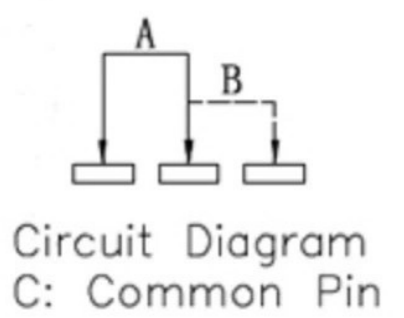


CAD FILE:



PCB Layout(Pattern side)



注: "*"表示关键尺寸(6个)

NO.	PARTS	MATERIALS	Q'TY	FINISH	TOLERANCE	UNIT	DATE	DESCRIPTIONS OF REVISION	APPD.
8					UNLESS SPECIFIED				
7	STEEL BALL	STEEL	1	NATURAL					
6	SPRING	STEEL WIRE	1	NATURAL					
5	CONTACT CLIP	PBS STRIP	2	Ag PLATED	WITHIN	A	2012-10-26	初版	
4	TERMINAL	BRASS STRIP	8	Ag PLATED	OVER	ISSUE	DATE		
3	BASE	PHENOLIC RESIN	1	NATURAL	TITLE : SLIDE SWITCH		UNIT : mm	DRWG NO.:	
2	FRAME	STEEL STRIP	1	Ni PLATED	MODEL:		SCALE: 3:1	DWN.	2012-10-26
1	KNOB	POM	1	BLACK	广东科斯达开关厂			CHK'D	
									APPD.