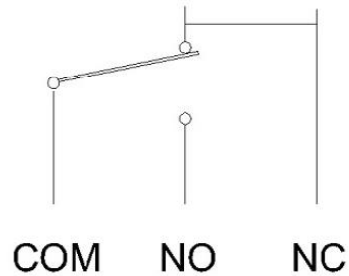
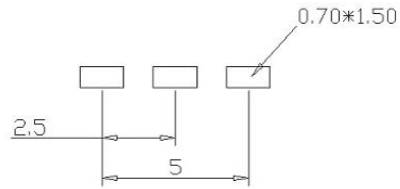
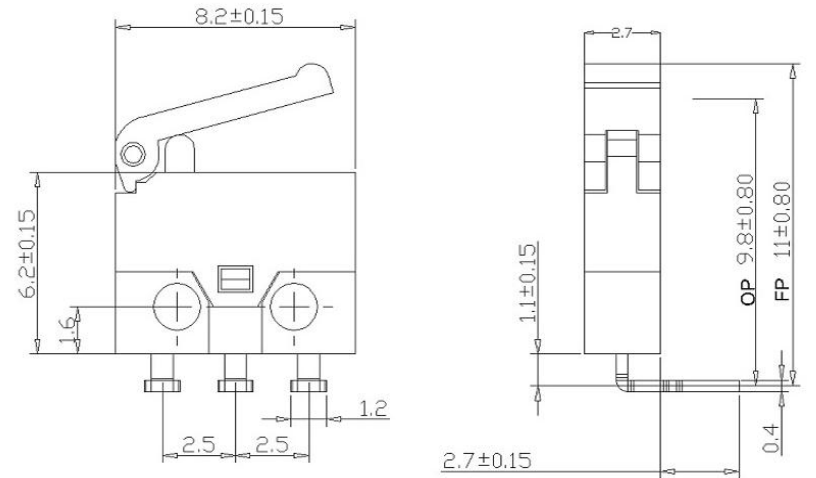


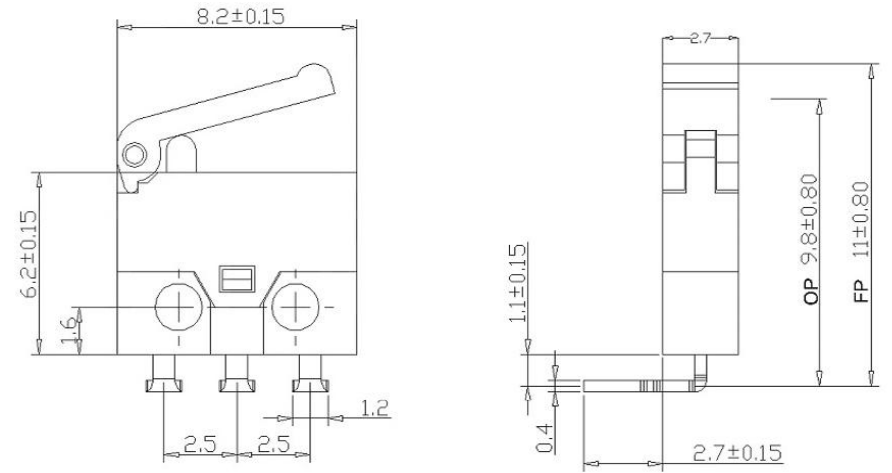
DS037-00P-60



1. Functional spec.	
1.1 Rated Voltage	0.3A @ DC6V;
1.2 Contact Resistance	≤50mΩ (Initial value)
1.3 Operating Force	
1.4 Free Position	
1.5 Operating Position	
2. Reliable Rating	
2.1 Mechanical Life	100,000 cycles
2.2 Electrical Life	50,000 cycles
2.3 Insulation Resistance	> 100M Ω DC100V
2.4 Withstand Voltage	AC250V 1 minute
2.5 Soldering Temper	250°C Max 3 Sec.
2.6 Operating Temper	-25°C - +85°C
2.7 Ambient Humidity Used	<85%RH



DS037-01D-30-C



DS037-01C-30-C

DSND	DATE	SCALE: N/A	MODEL TYPE: MICRO SWITCH
DWN	DATE	VIEW:	PART NO.:
CHKD	DATE	UNIT: mm	DWG NO.:
APPD	DATE	SIZE: A4	DS037-XXX-XXX
KOSOD TECHNOLOGY CO., LTD			WEIGHT 1.0g
			SHEET 1/1
			REVISION A0

ANGULAR	±5°
L ≤ 4	±0.2
4 < L ≤ 16	±0.3
16 < L ≤ 63	±0.4
L > 63	±0.5
UNSPECIFIED TOLERANCES	