

Circuit Diagram

**FEATURES**

- Light operating force.
- Long term low contact resistance.
- Momentary or latching operation.
- Short stroke 1.5mm to latch.
- Compact spacing on PCB of 5.8mm.

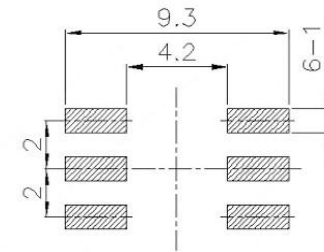
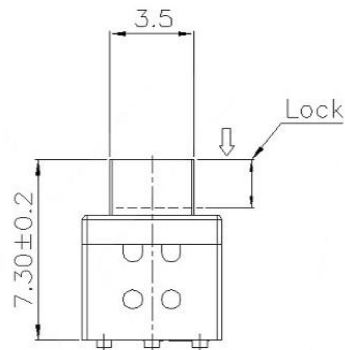
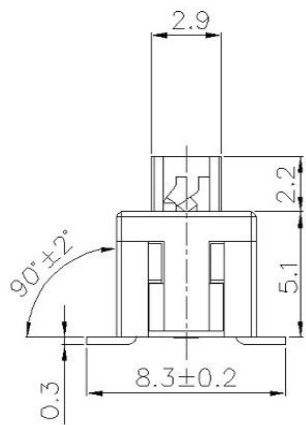
**SPECIFICATIONS**

**1.ELECTRICAL**

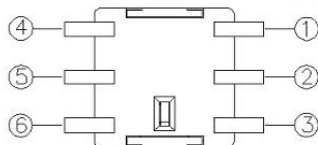
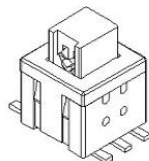
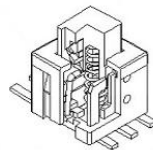
● Contact rating	0.1A, 30VDC
● Contact resistance	50mWMax.
● Insulation resistance	100MW Min. at 250VDC
● Dielectric strength	250VAC Min. for 60 sec.

**2.MECHANICAL AND ENVIRONMENTAL**

● Temperature rating	Operating: -15°C to +55°C Storage: -25°C to +65°C
● Operation force	160±80gf
● Stroke	Lock Stroke: 1.5±0.2mm Full Stroke: 2.0±0.2mm
● Operating life	full load: 1x10 <sup>4</sup> cycles no load: 1x10 <sup>5</sup> cycles
● Contact form	DPDT



PCB Layout(Pattern Side)



OPERATION	W:NO LOCK Z:LOCK
-----------	------------------

⑦	Contact	—	2	Phosphor bronze	Plating silvering	—
⑥	Terminal	—	6	Brass	Plating silvering	—
⑤	Spring	—	1	Sus	Natural	—
④	Base	—	1	Ppa		—
③	Crochet Needle	—	1	Sus	Natural	—
②	Cover	—	1	Ppa		—
①	Keystake	—	1	Ppa		—
ITEM	PAPT NAMF	TER,NO	QTY	MATERIAL	FINISHING	REMARK

DSND	DATE	SCALE: N/A	MODEL TYPE:
DWN	DATE	VIEW:	KEY SWITCH
CHKD	DATE	UNIT: mm	PART NO.:
APPD	DATE	SIZE: A4	DWG NO.:
Kosod Technology Co., Ltd.			WEIGHT
			1.0g
			SHEET
			1/1
			REVISION
			A0

					ANGLAR	±5°
Δx					X.X	±0.2mm
Δx					X.XX	±0.1mm
Δx					X.XXX	±0.05mm
MARK	DESCRIPTION	DATE	REVISED	APPROVED	UNSPECIFIED TOLERANCES	
					www.bodongkaiguan.net www.ksdkg.com	