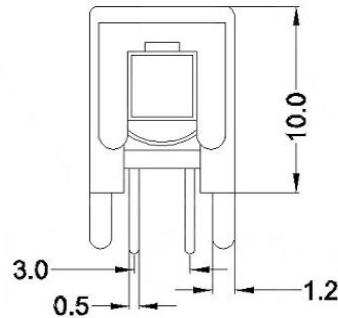
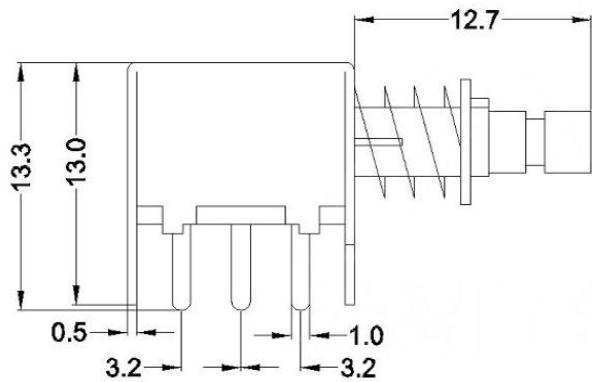


CIRCUIT



## FEATURES

- Light operating force.
- Long term low contact resistance.
- Momentary or latching operation.
- Short stroke 3.0mm to latch.

## SPECIFICATIONS

### 1.ELECTRICAL

|                         |                         |
|-------------------------|-------------------------|
| ● Contact rating        | 0.3A, 50VDC             |
| ● Contact resistance    | 50mWMax.                |
| ● Insulation resistance | 100MΩMin. at 250VDC     |
| ● Dielectric strength   | 250VAC Min. for 60 sec. |

### 2.MECHANICAL AND ENVIRONMENTAL

|                      |  |
|----------------------|--|
| ● Temperature rating | Operating: -15°C to +55°C<br>Storage: -25°C to +65°C                     |
| ● Operation force    | 250±80gf   |
| ● Stroke             | Lock Stroke: 3.0±0.3mm<br>Full Stroke: 3.5±0.3mm                         |
| ● Operating life     | full load: 1x10 <sup>4</sup> cycles<br>no load: 1x10 <sup>5</sup> cycles |

|           |                  |
|-----------|------------------|
| OPERATION | W:NO LOCK Z:LOCK |
|-----------|------------------|

| ITEM | PAPT NAMF      | TER.NO | QTY | MATERIAL        | FINISHING         | REMARK |
|------|----------------|--------|-----|-----------------|-------------------|--------|
| ⑦    | Bottom plate   | —      | 1   | Phenolic Resin  | Natural           | —      |
| ⑥    | Contact        | —      | 2   | Phosphor bronze | ag Plated         | —      |
| ⑤    | Terminal       | —      | 6   | Brass           | Plating silvering | —      |
| ④    | Spring         | —      | 1   | Sus             | Natural           | —      |
| ③    | Base           | —      | 1   | Spcc            | Plating Nickel    | —      |
| ②    | Crochet Needle | —      | 1   | Sus             | Natural           | —      |
| ①    | Keystake       | —      | 1   | Pa66            |                   | —      |

|                           |  |      |  |            |                           |              |                |
|---------------------------|--|------|--|------------|---------------------------|--------------|----------------|
| DSND                      |  | DATE |  | SCALE: N/A | MODEL TYPE:<br>KEY SWITCH |              |                |
| DWN                       |  | DATE |  | VIEW:      | PART NO.:                 |              |                |
| CHKD                      |  | DATE |  | UNIT: mm   | DWG NO.:                  |              |                |
| APPD                      |  | DATE |  | SIZE: A4   |                           |              |                |
| KOSOD TECHNOLOGY CO., LTD |  |      |  |            | WEIGHT<br>1.0g            | SHEET<br>1/1 | REVISION<br>A0 |

|         |         |
|---------|---------|
| ANGULAR | ±5°     |
| X.X     | ±0.2mm  |
| X.XX    | ±0.1mm  |
| X.XXX   | ±0.05mm |

UNSPECIFIED TOLERANCES

| MARK | DESCRIPTION | DATE | REVISED | APPROVED |
|------|-------------|------|---------|----------|
| △X   |             |      |         |          |
| △X   |             |      |         |          |
| △X   |             |      |         |          |

REVISIONS

www.bodongkaiguan.net www.ksdkg.com