

FEATURES

- Light operating force.
- Long term low contact resistance.
- Momentary or latching operation.
- Short stroke 2.0mm to latch.
- Compact spacing on PCB of 8.5mm.

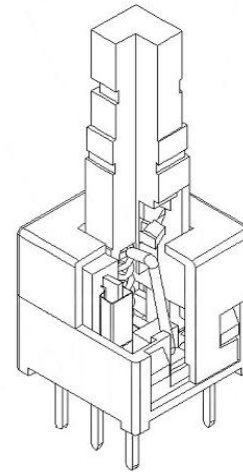
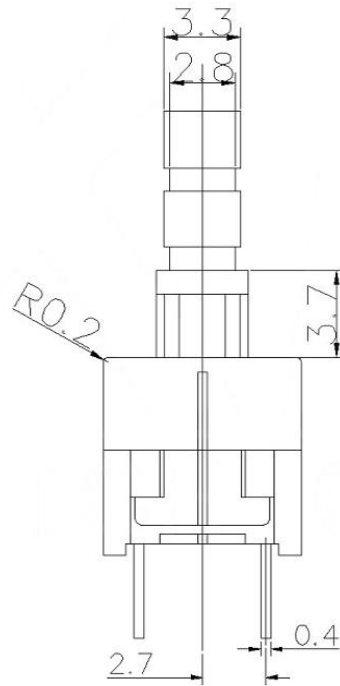
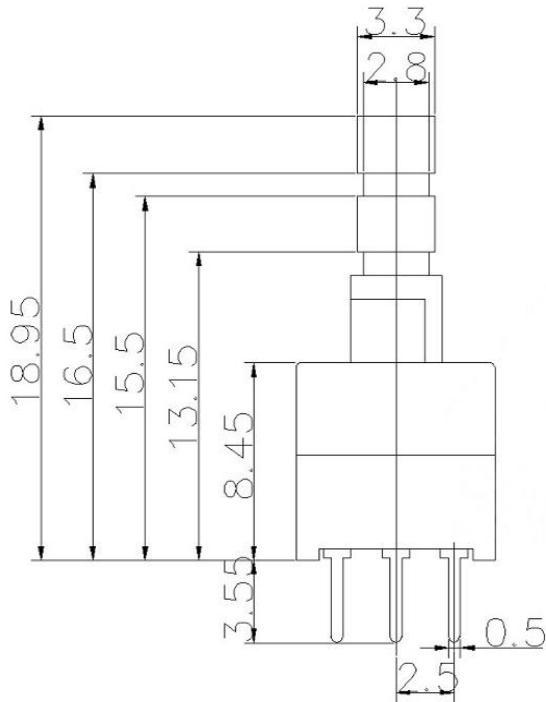
SPECIFICATIONS

1.ELECTRICAL

● Contact rating	0.1A, 30VDC
● Contact resistance	50mWMax.
● Insulation resistance	100MΩ Min. at 250VDC
● Dielectric strength	250VAC Min. for 60 sec.

2.MECHANICAL AND ENVIRONMENTAL

● Temperature rating	Operating: -15°C to +55°C Storage: -25°C to +65°C
● Operation force	160±80gf
● Stroke	Lock Stroke: 2.0±0.2mm Full Stroke: 2.5±0.2mm
● Operating life	full load: 1x10 ⁴ cycles no load: 1x10 ⁵ cycles
● Contact form	DPDT



OPERATION	W:NO LOCK Z:LOCK
-----------	------------------

⑦	Contact	—	2	Phosphor bronze	Plating silvering	—
⑥	Terminal	—	6	Brass	Plating silvering	—
⑤	Spring	—	1	Sus	Natural	—
④	Base	—	1	Pbt	—	—
③	Crochet Needle	—	1	Sus	Natural	—
②	Cover	—	1	Pom	—	—
①	Keystake	—	1	Pom	—	—
ITEM	PAPT NAMF	TER.NO	QTY	MATERIAL	FINISHING	REMARK

					DSND		DATE		SCALE: N/A	MODEL TYPE: KEY SWITCH		
					ΔX		DATE		VIEW:	PART NO.:		
					ΔX		DATE		UNIT: mm	DWG NO.:		
					ΔX		DATE		SIZE: A4			
MARK	DESCRIPTION	DATE	REVISED	APPROVED	ANGULAR	±5°						
						X.X	±0.2mm					
						X.XX	±0.1mm					
						X.XXX	±0.05mm					
					UNSPECIFIED TOLERANCES					KOSOD TECHNOLOGY CO., LTD		
										WEIGHT	SHEET	REVISION
										1.0g	1/1	A0
										www.bodongkaiguan.net www.ksdkg.com		