

## FEATURES

- Light operating force.
- Long term low contact resistance.
- Momentary or latching operation.
- Short stroke 1.5mm to latch.
- Compact spacing on PCB of **13X 8.5mm**.

## SPECIFICATIONS

### 1.ELECTRICAL

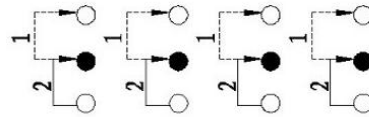
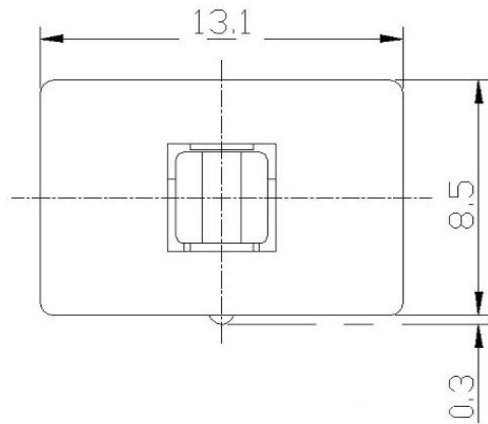
● Contact rating	0.1 A, 30VDC
● Contact resistance	50mW Max.
● Insulation resistance	100M W Min. at 250VDC
● Dielectric strength	250VAC Min. for 60 sec.

### 2.MECHANICAL AND ENVIRONMENTAL

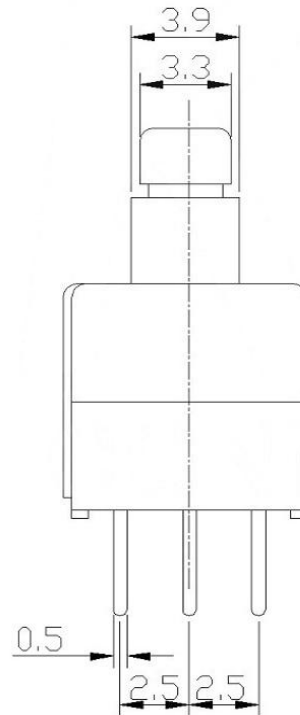
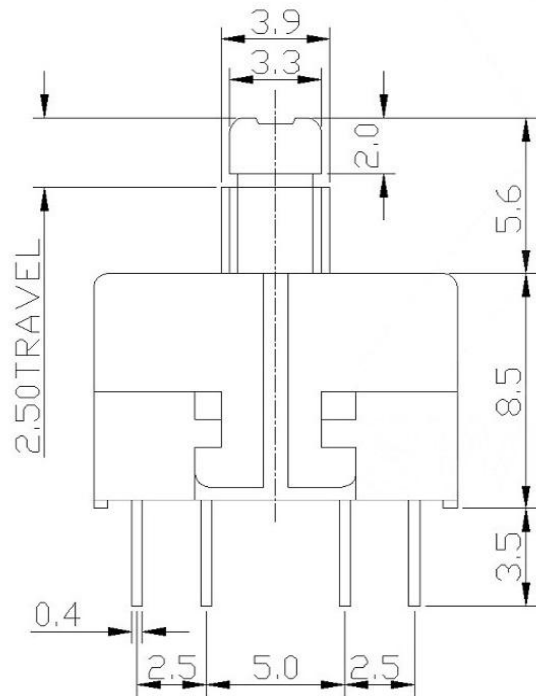
● Temperature rating	Operating: +5 °C to +55 °C Storage: -25 °C to +65 °C
● Operation force	1.60±80gf
● Stroke	Lock Stroke: 1.5±0.2mm Full Stroke: 2.5±0.2mm
● Operating life	full load: 1 x 10 <sup>4</sup> cycles no load: 1 x 10 <sup>5</sup> cycles
● Contact form	DPDT

OPERATION    **W:NO LOCK    Z:LOCK**

ITEM	PAPT	NAMF	TER,NO	QTY	MATERIAL	FINISHING	REMARK
⑦	Contact	—	4	Phosphor bronze	Plating silvering	—	—
⑥	Terminal	—	12	Brass	Plating silvering	—	—
⑤	Spring	—	1	Sus	Natural	—	—
④	Base	—	1	Nylon	—	—	—
③	Crochet Needle	—	1	Sus	Natural	—	—
②	Cover	—	1	Nylon	—	—	—
①	Keystake	—	1	Nylon	—	—	—



SCHMATIC



DSND		DATE		SCALE: N/A	MODEL TYPE: <b>KEY SWITCH</b>		
DWN		DATE		VIEW:	PART NO.:		
CHKD		DATE		UNIT: mm	DWG NO.:		
APPD		DATE		SIZE: A4			
				<b>Kosod Technology Co., Ltd.</b>	WEIGHT 1.0g	SHEET 1/1	REVISION A0

ANGULAR	±5°
X.X	±0.2mm
X.XX	±0.1mm
X.XXX	±0.05mm

UNSPECIFIED TOLERANCES

REVISIONS

www.bodongkaiguan.net    www.ksdkg.com