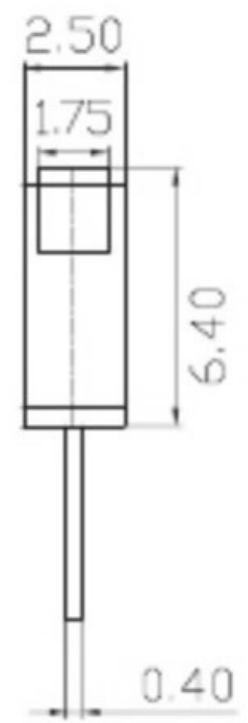
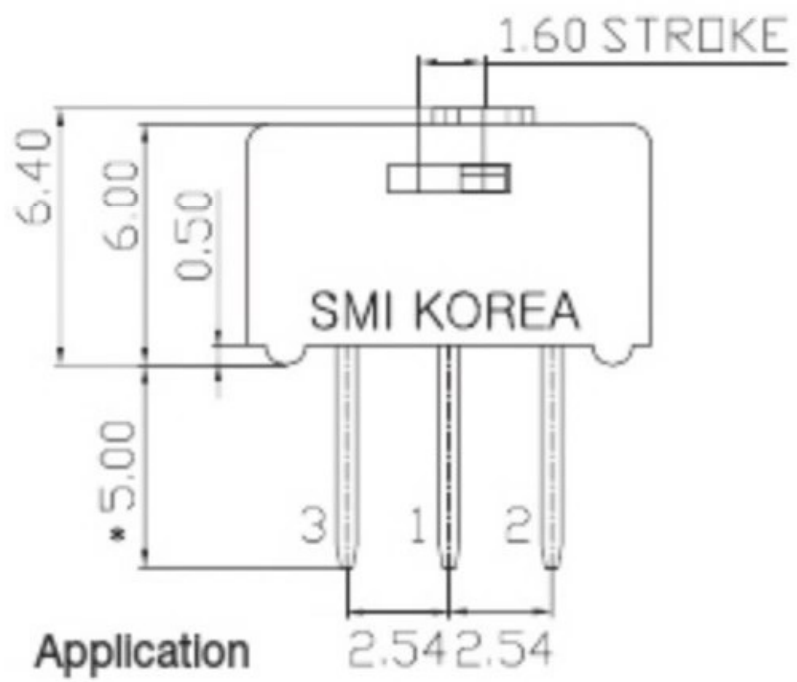
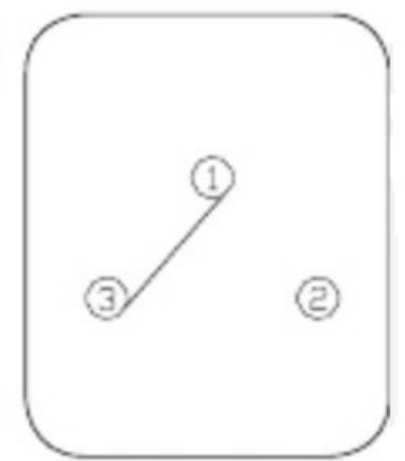
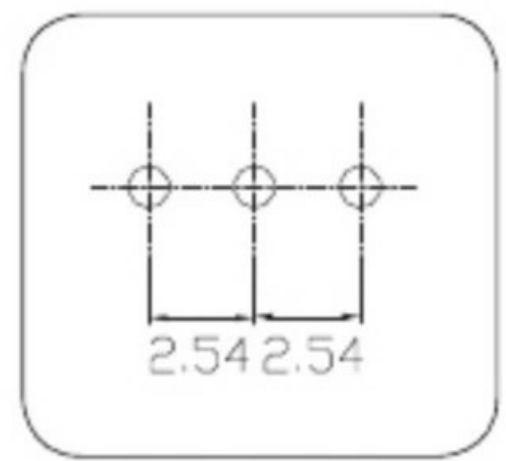
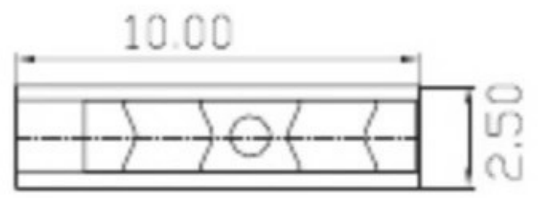


REV	DATE	REMARKS
△		
△		

P.C.B DIMENSION

CIRCUIT



Application
 *5.0
 *3.5

APPD	CHKD	D'SGD	TITLE
Y.D WANG	J.S KIM	H.S LEE	ROTARY DIP SWITCH
			科斯达电子科技有限公司 Koside Electronic Technology Co., Ltd.