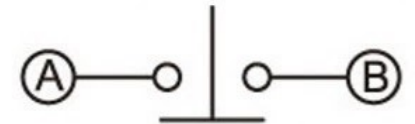


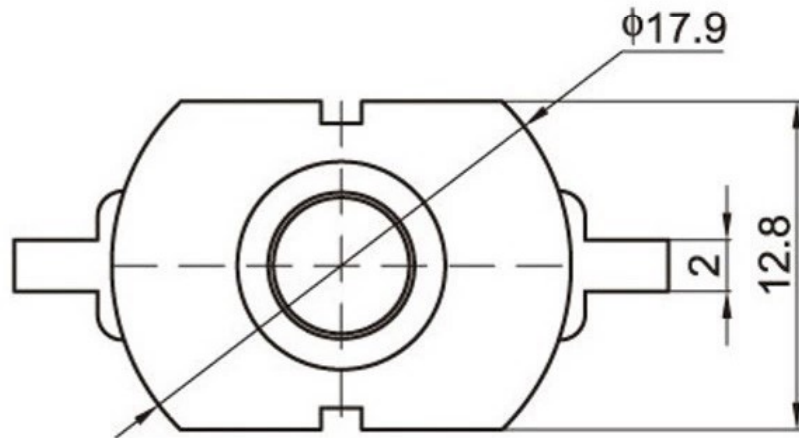
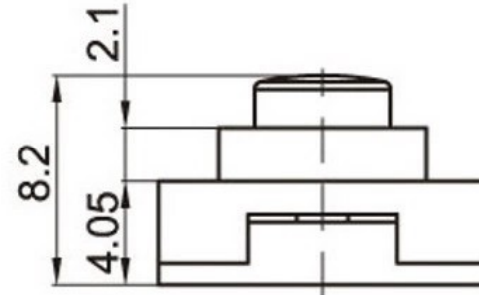
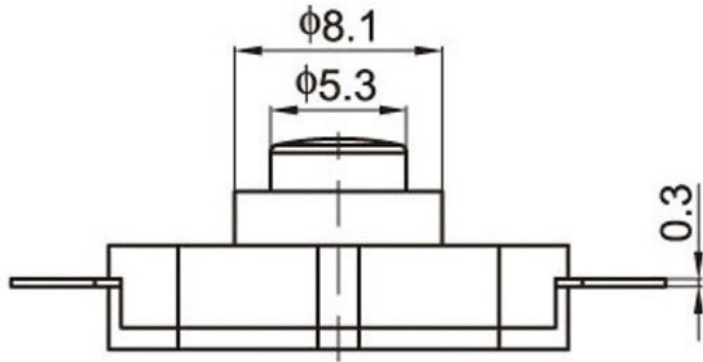


无锁(常闭.接通)




电路简图

SCHEMATIC (NON-SHORTING)



注：“*”□表示关键尺寸(3个)。

| NO. | PARTS | MATERIALS | Q'TY | TOLERANCE UNLESS SPECIFIED | ISSUE | DATE | DESCRIPTIONS OF REVISION | APPD. |
|-----|-----------|--------------------|------|---|-------|------------|--------------------------|-----------|
| 8 | | | | | | | | |
| 7 | | | | | | | | |
| 6 | | | | WITHIN 1.5mm : ±0.1mm OVER 1.5mm : ±0.2mm | A | 2012-8-13 | 初版 | |
| 5 | SPRING | SUS | 1 | NATURAL | | | | |
| 4 | CAM STICK | SUS | 1 | NATURAL | | | | |
| 3 | CASE | PA66/BRASS STRIP | 1 | GREY/Ag PLATED | | | | |
| 2 | COVER | PA66 | 1 | BLACK | | | | |
| 1 | KNOB | PA66/PBS C5210R-EH | 1 | WHITE/Ag CLAD | | | | |
| | | | | TITLE : VERTICAL PUSH SWITCH | | UNIT : mm | DRWG NO.: | |
| | | | | MODEL: | | SCALE: 5:1 | DWN. | 2012-8-13 |
| | | | |  广东科斯达开关厂 | | CHK'D | | 2012-8-13 |
| | | | | | | APPD. | | |