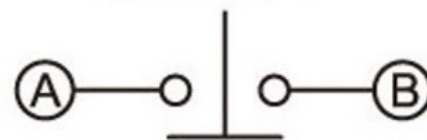
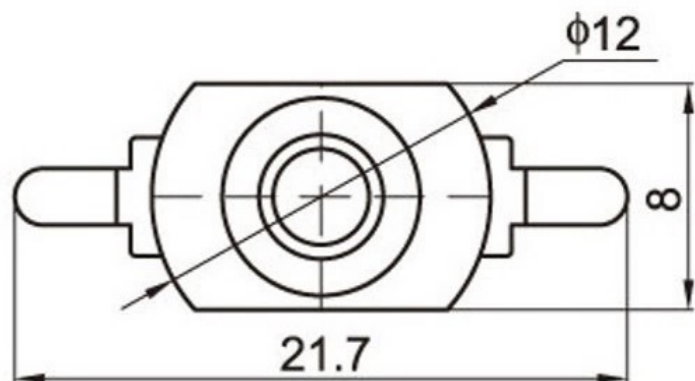



ON-OFF



SCHEMATIC (NON-SHORTING)



注：“\*”□表示关键尺寸(3个)。

| NO. | PARTS     | MATERIALS          | Q'TY |                | TOLERANCE<br>UNLESS SPECIFIED   |       |            |                          |           |
|-----|-----------|--------------------|------|----------------|---|-------|------------|--------------------------|-----------|
| 8   |           |                    |      |                |   |       |            |                          |           |
| 7   |           |                    |      |                |   |       |            |                          |           |
| 6   |           |                    |      |                | WITHIN 1.5mm : ±0.1mm   | A     | 2012-8-13  | 初版                       |           |
| 5   | SPRING    | SUS                | 1    | NATURAL        | OVER 1.5mm : ±0.2mm   | ISSUE | DATE       | DESCRIPTIONS OF REVISION | APPD.     |
| 4   | CAM STICK | SUS                | 1    | NATURAL        | TITLE : VERTICAL PUSH SWITCH  |       | UNIT : mm  | DRWG NO.:                |           |
| 3   | CASE      | PA66/BRASS STRIP   | 1    | GREY/Ag PLATED | MODEL:  |       | SCALE: 5:1 | DWN.                     | 2012-8-13 |
| 2   | COVER     | PA66               | 1    | BLACK          |  <b>广东科斯达开关厂</b> |       |            | CHK'D                    |           |
| 1   | KNOB      | PA66/PBS C5210R-EH | 1    | WHITE/Ag CLAD  |   |       |            | APPD.                    |           |