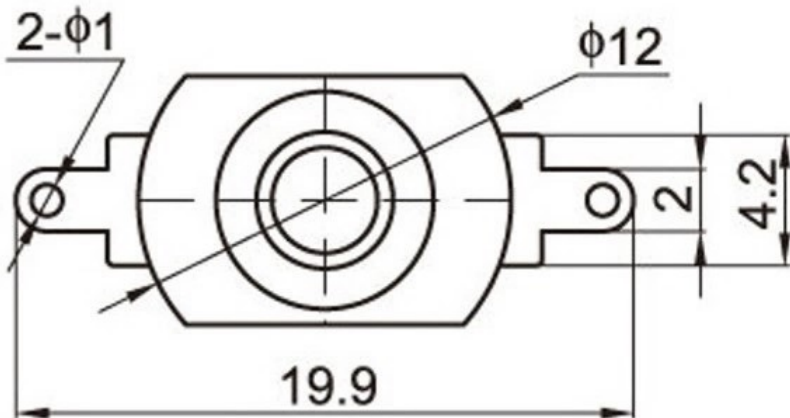



无锁(常闭.按通)



注：“*”□表示关键尺寸(3个).

				TOLERANCE							
				UNLESS SPECIFIED							
				WITHIN 1.5mm : ±0.1mm	A	2012-8-13	初版				
				OVER 1.5mm : ±0.2mm	ISSUE	DATE	DESCRIPTIONS OF REVISION		APPD.		
5	SPRING	SUS	1	NATURAL	TITLE : VERTICAL PUSH SWITCH				UNIT : mm	DRWG NO.:	
4	CAM STICK	SUS	1	NATURAL	MODEL:				SCALE: 5:1		
3	CASE	PA66/BRASS STRIP	1	GREY/Ag PLATED	 广东科斯达开关厂				DWN.	2012-8-13	
2	COVER	PA66	1	BLACK					CHK'D		
1	KNOB	PA66/PBS C5210R-EH	1	WHITE/Ag CLAD					APPD.	2012-8-13	
NO.	PARTS	MATERIALS	Q'TY								