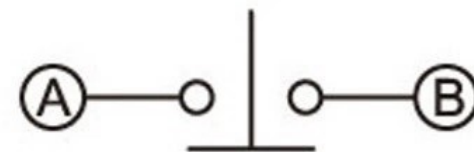
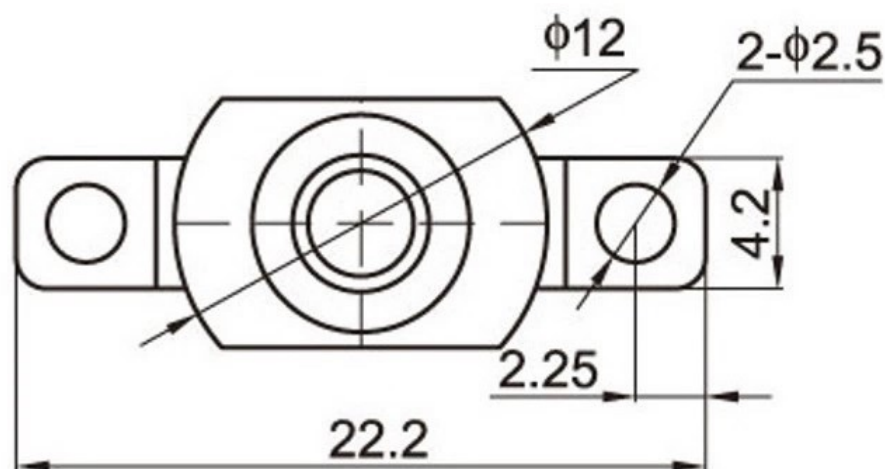
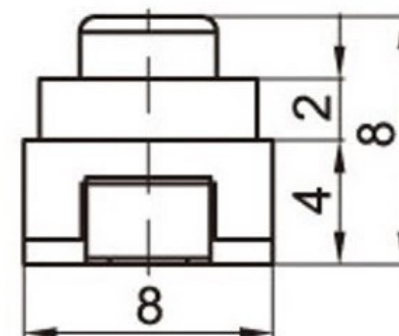



ON-OFF



SCHEMATIC (NON-SHORTING)



注：“*”□表示关键尺寸(3个)。

NO.	PARTS	MATERIALS	Q'TY	TOLERANCE UNLESS SPECIFIED	ISSUE	DATE	DESCRIPTIONS OF REVISION	APPD.
8								
7								
6					A	2012-8-13	初版	
5	SPRING	SUS	1	NATURAL	ISSUE	DATE		
4	CAM STICK	SUS	1	NATURAL	TITLE : VERTICAL PUSH SWITCH			UNIT : mm
3	CASE	PA66/BRASS STRIP	1	GREY/Ag PLATED	MODEL:			DRWG NO.:
2	COVER	PA66	1	BLACK	SCALE: 5:1			DWN. 2012-8-13
1	KNOB	PA66/PBS C5210R-EH	1	WHITE/Ag CLAD	 广东科斯达开关厂			CHK'D